



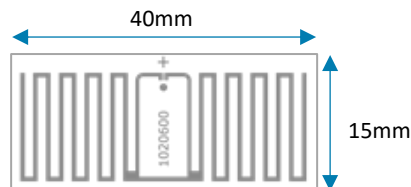
ZEBRA

RFID Label Non-Metal

Part Number: ZIPRT3015654

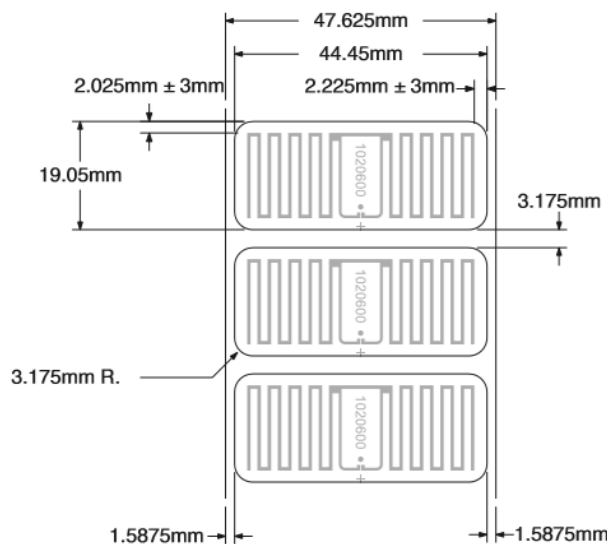
Inlay Information

IC	NXP Ucode 8
EPC Memory	128-bit
User Memory	N/A
TID	96-bit
Read Sensitivity	-23dBm
Write Sensitivity	-18dBm
RFID Standards	EPC Gen2v2
Operating Temperature	-40°C to 85°C



Label Information

Facestock	Z-Ultimate 2500T Gloss white topcoated TT printable polyester 58 microns
Adhesive	Permanent acrylic 25 microns
Liner	64gsm glassine 53 microns
Minimum Application Temperature ¹	10°C
Storage Conditions	1 year duration when stored at 23°C at 50% RH
Expected Lifespan in Application ²	Indoor use, 1 year+ Outdoor use, for up to 1 year
No. Across	1
Labels / Roll	5,000
Rolls / Box	1
Core Size	76mm
Max Outer Diameter	200mm
Approximate Weight / Box	1 kg
Box Dimensions	20 cm x 20cm x 7cm



Recommended Ribbons

Part Number	04800BK06045 Performance Resin 05095BK06045 High-Performance Resin 05100BK06045 Premium Resin
Dimensions	60 mm x 450 m
Ribbon : Label (Rolls)	1:4

Footnotes

1. When the label is applied, the environment and surface should be above this temperature.
2. Following correct application and appropriate dwell time (usually 24hrs) we expect, but do not warrant, a life span as indicated.

For more information, visit www.zebra.com/supplies

Product Performance and Suitability: The information contained in this document is to be used for guidance only and is not intended for use in setting specifications. All purchasers of Zebra products shall be solely responsible for independently determining if the product conforms to all requirements of their unique application.

©2021 Zebra Technologies Corporation and/or its affiliates. All rights reserved. Zebra and the stylized Zebra head are trademarks of Zebra Technologies Corporation, registered in many jurisdictions worldwide. All other trademarks are the property of their respective owners.



RFID Label Non-Metal

Theoretical Read Range: ETSI (865-868 MHz)

Air	7 m
Cardboard	10 m
Fiberglass	6 m
Glass	5 m
PTFE	10 m
Polyacetyl	5 m
PVC	6 m
Rubber	5 m

Theoretical Read Range: FCC (902-928 MHz)

Air	10 m
Cardboard	6 m
Fiberglass	8m
Glass	7 m
PTFE	6 m
Polyacetyl	7 m
PVC	7 m
Rubber	7 m

Testing and Compliance

All inlays certified by Zebra have been pre-tested with Zebra printers and readers

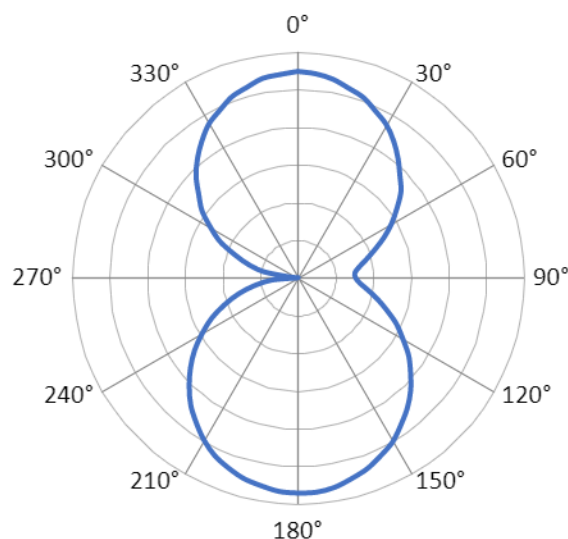
Material Testing in End Application

The information contained in this document is to be used for guidance only and is not intended for use in setting specifications. All purchasers of Zebra products shall be solely responsible for independently determining the product conforms to all requirements of their unique application.

Radiation Pattern

The information contained in this document is to be used for guidance only and is not intended for use in setting specifications. All purchasers of Zebra products shall be solely responsible for independently determining the product conforms to all requirements of their unique application.

RADIATION PATTERN



For more information, visit www.zebra.com/supplies

Product Performance and Suitability: The information contained in this document is to be used for guidance only and is not intended for use in setting specifications. All purchasers of Zebra products shall be solely responsible for independently determining if the product conforms to all requirements of their unique application.

©2021 Zebra Technologies Corporation and/or its affiliates. All rights reserved. Zebra and the stylized Zebra head are trademarks of Zebra Technologies Corporation, registered in many jurisdictions worldwide. All other trademarks are the property of their respective owners.