



Open Frame PCAP 10 point touch screen equipped with a foam seal finish for seamless integration

The ProLite TF1015MC (10.1 inch) uses PCAP touch technology and is built into an eye catching bezel with edge-to-edge glass. Thanks to a glass overlay covering the screen and a rugged bezel, it guarantees high durability and scratch-resistance, making it perfect for kiosk and high use public facing applications. Equipped with a foam seal finish it supports seamless integration into kiosks and provides IP65 rating resulting in dust and water resistance from the front. Landscape, portrait and face-up orientation ensures flexible mounting possibilities in almost any installation. For ease of integration, the TF1015MC comes equipped with external mounting brackets making it an ideal solution for kiosk integrators, industrial environments, control rooms and interactive multimedia.



Touch through-glass

This through glass touch screen works right through glass and can turn glass surfaces into an interactive touch screen display. Use it on storefront windows, real estate office, in-store for POS or restaurants.



Touch technology - Capacitive

This technology uses a sensor-grid of micro-fine wires integrated into the glass that covers the screen. Touch is detected because electrical characteristics of the sensor grid change when human finger is placed on the glass. Thanks to the glass overlay this technology is highly durable, and the touch function remains unaffected even if the glass is scratched. It offers perfect picture performance and will work with human finger (also latex gloved) and stylus-pen.

01 DISPLAY CHARACTERISTICS

Design	Open Frame
Diagonal	10.1", 25.7cm
Panel	VA LED
Native resolution	1280 x 800 (1 megapixel)
Aspect ratio	16:10
Brightness	500 cd/m ² typical
Brightness	450 cd/m ² with touch
Static contrast	1300:1 typical
Light transmittance	90%
Response time	25ms
Viewing zone	horizontal/vertical: 170°/170°, right/left: 85°/85°, up/down: 85°/85°
Horizontal Sync	31.4 - 49.7KHz
Vertical Sync	60 - 60Hz
Viewable area W x H	216.96 x 135.6mm, 8.5 x 5.3"
Pixel pitch	0.1695mm
Bezel colour and finish	black

02 TOUCH

Touch technology	projective capacitive
Touch points	10 (HID, only with supported OS)
Touch method	stylus, finger, glove (latex)
Touch interface	USB
Supported operating systems	All iiyama monitors are Plug & Play and compatible with Windows and Linux. For details regarding the supported OS for the touch models, please refer to the driver instruction file available in the downloads section.
Through-Glass	6mm

03 INTERFACES / CONNECTORS / CONTROLS

Analog signal input	VGA x1
Digital signal input	HDMI x1 DisplayPort x1
Audio output	Mini jack x1
HDCP	yes

04 FEATURES

Extra	anti-fingerprint coating, touch through-glass
60950 Ball drop test	yes
Water and dust protection	IP65 (front)
Water tight seal	yes
OSD key lock	yes

05 GENERAL

OSD languages	EN, DE, FR, ES, IT, CN, JP
Control buttons	Menu, Scroll up/ Brightness, Scroll down/ Contrast, Select, Power

User controls	picture (contrast, brightness, H-position, V-position, phase, clock, auto adjust), advanced (color temp, sharpness), OSD (timeout, position, H-position, V-position, touch switch), option (reset, language, source select, display mode, factory)
---------------	--

Plug&Play	DDC2B
-----------	-------

06 MECHANICAL

Orientation	landscape, portrait, face-up
-------------	------------------------------

VESA mounting	100 x 100mm
---------------	-------------

Operation temperature range	0°C - 40°C
-----------------------------	------------

Storage temperature range	- 20°C - 60°C
---------------------------	---------------

07 ACCESSORIES INCLUDED

Cables	power (1.8m), USB (1.8m), HDMI (1.8m), DP (1.8m)
--------	--

Guides	quick start guide, safety guide
--------	---------------------------------

Other	AC adapter, Touch Panel Driver Disk (CD-ROM), L-Bracket, external control pad
-------	---

08 POWER MANAGEMENT

Power supply unit	external
-------------------	----------

Power supply	DC 12 V
--------------	---------

Power usage	10W typical, 1.2W stand by, 1.2W off mode
-------------	---

09 SUSTAINABILITY

Regulations	CB, CE, TÜV-Bauart, CU, cULus
-------------	-------------------------------

Energy efficiency class	A
-------------------------	---

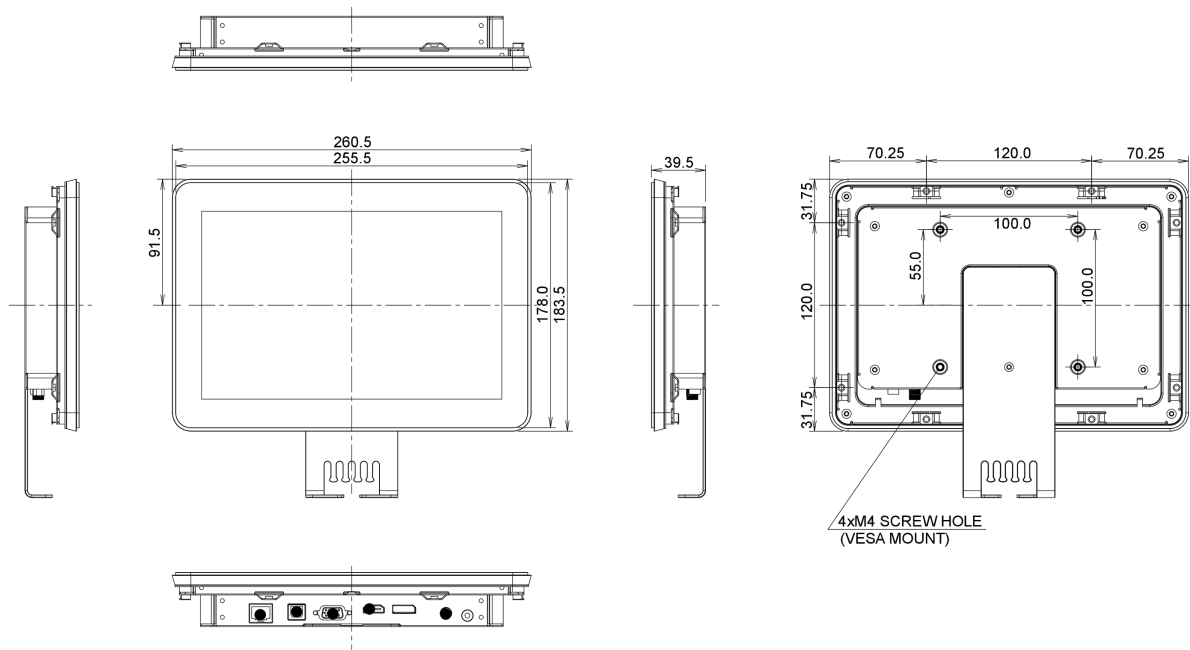
Other	REACH SVHC above 0.1%: Lead
-------	-----------------------------

10 DIMENSIONS / WEIGHT

Product dimensions W x H x D	260.5 x 183.5 x 39.5mm
------------------------------	------------------------

Weight (without box)	1.4kg
----------------------	-------

EAN code	4948570116744
----------	---------------



11 EU ENERGY EFFICIENCY LABEL

Manufacturer	iiyama
Energy efficiency class	A
Visible screen diagonal	26cm; 10.1"; (10" segment)
ON mode power consumption	10W
Power in OFF Mode	1.2W off mode

All trademarks and registered trademarks acknowledged. E & O E. Specification subject to change without notice. All LCD's comply with ISO-9241-307:2008 in connection with pixel defects.

© IIYAMA CORPORATION. ALL RIGHTS RESERVED