



50" Professional Digital Signage display with a 24/7 operating time, 4K UHD resolution and a landscape/portrait orientation

See the difference with the ProLite LH5050UHS. A professional digital signage display with 4K graphics, continuous operating time (24/7) and landscape/portrait orientation. Featuring a slim bezel, ambient light sensor and an AMVA3 panel for exceptional color and image performance, the LH5050UHS offers businesses a versatile and effective solution to present their message in an innovative and engaging manner.



LAN Control

LAN control enables making adjustments in the display OSD menu through your network (software not included).



AMVA3

AMVA3 technology offers higher contrast, darker blacks and much better viewing angles than standard TN technology. The screen will look good no matter what angle you look at it.

01 DISPLAY CHARACTERISTICS

| | |
|----------------------------------|--|
| Design | Thin bezel |
| Diagonal | 50", 126cm |
| Panel | AMVA3 LED, matte finish, haze 2% (the higher the value, the less reflection) |
| Native resolution | 3840 x 2160 @60Hz (8.3 megapixel 4K UHD) |
| Aspect ratio | 16:9 |
| Brightness | 450 cd/m ² typical |
| Static contrast | 4000:1 typical |
| Response time | 8ms |
| Viewing zone | horizontal/vertical: 178°/178°, right/left: 89°/89°, up/down: 89°/89° |
| Colour support | 16.7mIn 8bit |
| Horizontal Sync | 30 - 83KHz |
| Vertical Sync | 50 - 76Hz |
| Viewable area W x H | 1095.84 x 616.41mm, 43.1 x 24.3" |
| Bezel width (sides, top, bottom) | 17mm, 16.9mm, 19.4mm |
| Pixel pitch | 0.2854mm |
| Bezel colour and finish | black, glossy |

02 INTERFACES / CONNECTORS / CONTROLS

| | |
|------------------------|--|
| Analog signal input | Component video x1 (Y/Pb/Pr) |
| Digital signal input | HDMI x3 (v.2.0) DisplayPort x1 |
| Audio input | Mini jack x1 |
| Monitor control input | RS-232c x1 RJ45 (LAN) x1 IR x1 |
| Digital signal output | DisplayPort x1 (v.1.2 Daisy Chain) |
| Audio output | Mini jack x1 RCA (L/R) x1 Speakers 2 x 10W |
| Monitor control output | RS-232c x1 |
| HDCP | yes |
| USB ports | x3 (v.3.0 x1, v.2.0 x2) |

03 FEATURES

| | |
|------------------------------|---|
| Extra | Scheduler (7 positions), DisplayWall, MediaPlayer |
| Max. non-stop operating time | 24/7 |
| Anti image retention | yes |
| Video wall / daisy chain | yes |
| Media playback | yes |
| Housing (bezel) | plastic |
| Brightness sensor | yes |
| HDR | yes (HDMI) |

04 GENERAL

| | |
|---------------|--|
| OSD languages | EN, DE, FR, ES, IT, RU, JP, CZ, NL, PL |
|---------------|--|

| | |
|-----------------|---|
| Control buttons | Menu, Source, Plus, Minus, Up, Down, Power |
| User controls | picture (picture settings (picture mode, backlight, contrast, brightness, saturation, hue, sharpness, color temperature, noise reduction, reset), advanced color settings, base colour adjustment, adaptive contrast, ambient light sensor), Sound (balance, advanced sound settings, audio source), applications (media player, schedule, display wall), settings (language, network settings, control setting, set monitor ID, energy saving settings, aspect, freeze, anti-image retention, OSD rotation, OSD info box, DP 1.2, LED, opening logo, information, reset all) |
| Plug&Play | DDC2B, Mac OSX |

05 MECHANICAL

| | |
|-----------------------------|------------------------------------|
| Orientation | landscape, portrait |
| Fanless design | yes |
| VESA mounting | 400 x 400mm |
| Mini PC mount | VESA 75 x 75, VESA 100 x 100 |
| Operation temperature range | 0°C - 40°C |
| Storage temperature range | - 20°C - 60°C |
| MTBF | 50.000 hours (excluding backlight) |

06 ACCESSORIES INCLUDED

| | |
|----------------|---------------------------------|
| Cables | power, HDMI (1.8m), DP (1.8m) |
| Guides | quick start guide, safety guide |
| Other | Mini-PC bracket, 4x screws |
| Remote control | yes (batteries included) |

07 POWER MANAGEMENT

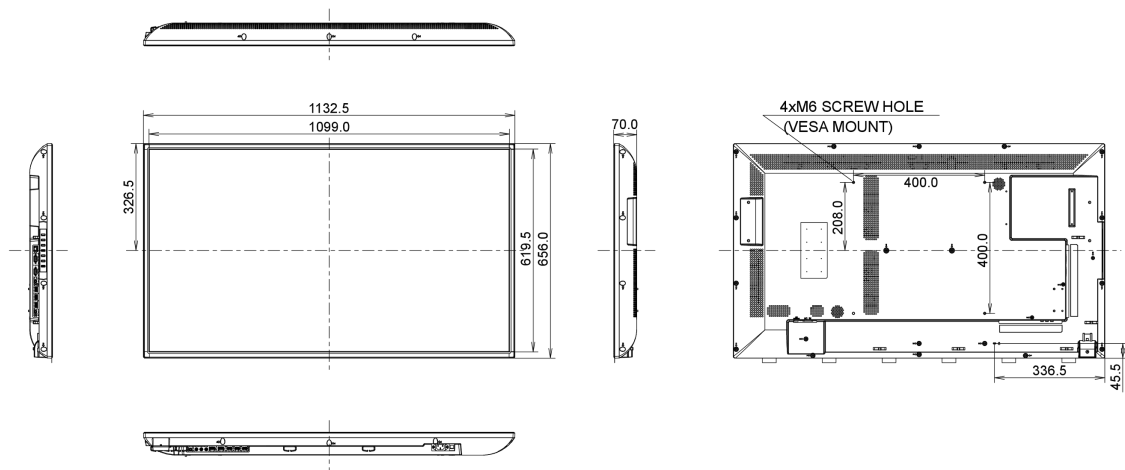
| | |
|-------------------|--|
| Power supply unit | internal |
| Power supply | AC 100 - 240V, 50/60Hz |
| Power usage | 140W typical, 0.5W stand by, 0.5W off mode |

08 SUSTAINABILITY

| | |
|-------------------------|-----------------------------|
| Regulations | CB, CE, TÜV-Bauart, CU |
| Energy efficiency class | C |
| Other | REACH SVHC above 0.1%: Lead |

09 DIMENSIONS / WEIGHT

| | |
|------------------------------|-----------------------|
| Product dimensions W x H x D | 1132.5 x 656.0 x 70mm |
| Box dimensions W x H x D | 1310 x 800 x 226mm |
| Weight (without box) | 14.3kg |
| Weight (with box) | 20.6kg |
| EAN code | 4948570116256 |



10 EU ENERGY EFFICIENCY LABEL

| | |
|---------------------------|-----------------------------|
| Manufacturer | iiyama |
| Model | ProLite LH5050UHS-B1 |
| Energy efficiency class | C |
| Visible screen diagonal | 126cm; 49.5"; (50" segment) |
| ON mode power consumption | 156W |
| Annual energy consumption | 228kWh/annum* |
| Power in Standby | 0.5W stand by |
| Resolution | 3840 x 2160 |

*This is information under Regulation (EU) No 1062/2010.*Based on the power consumption of the television operating 4 hours per day for 365 days. The actual energy consumption will depend on how the television is used.*

All trademarks and registered trademarks acknowledged. E & O E. Specification subject to change without notice. All LCD's comply with ISO-9241-307:2008 in connection with pixel defects.

© IIYAMA CORPORATION. ALL RIGHTS RESERVED