



27" IPS 3-side borderless monitor with height adjustable stand

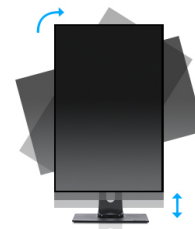
Stylish edge-to-edge design makes the ProLite XUB2793HS perfect for multi-monitor set-ups. The IPS panel technology offers accurate and consistent colour reproduction with wide viewing angles. High contrast and brightness values mean the monitor will provide excellent performance for photographic and web design, and the height adjustable stand ensures you can easily adjust the screen position to your preferences. It is a great choice for both multi-monitor Digital Signage and office applications.

Available also with fixed stand: [ProLite XU2793HS-B4](#)



IPS Technology

IPS displays are best known for wide viewing angles and natural, highly accurate colours. They are especially suited for colour-critical applications.



HAS + Pivot

With a height adjustable stand you will create an ergonomic work posture and position that meets all health and safety requirements. This will not only prevent any health issues but will also increase your productivity. The pivot function allows the screen to rotate from landscape to portrait orientation. This functionality can be useful if the application requires more height than width.

01 DISPLAY CHARACTERISTICS

Design	3-side borderless
Diagonal	27", 68.5cm
Panel	IPS panel technology LED, matte finish
Native resolution	1920 x 1080 @75Hz (DisplayPort&HDMI, 2.1 megapixel Full HD)
Aspect ratio	16:9
Panel brightness	300 cd/m ²
Static contrast	1000:1
Advanced contrast	80M:1
Response time (GTG)	4ms
Viewing zone	horizontal/vertical: 178°/178°, right/left: 89°/89°, up/down: 89°/89°
Colour support	16.7mIn (sRGB: 96%; NTSC: 72%)
Horizontal Sync	30 - 85kHz
Viewable area W x H	597.9 x 336.3mm, 23.5 x 13.2"
Pixel pitch	0.3114mm
Colour	matte, black

02 INTERFACES / CONNECTORS / CONTROLS

Signal input	VGA x1 (1920 x 1080 @60Hz) HDMI x1 (1920 x 1080 @75Hz) DisplayPort x1 (1920 x 1080 @75Hz)
HDCP	yes
Headphone connector	yes

03 FEATURES

Blue light reducer	yes
Flicker free	yes
FreeSync support	yes
Extra	i-style Colour
OSD languages	EN, DE, FR, IT, RU, JP, CZ, NL, PL
Control buttons	Power, Menu, + / Volume, - / Eco, Signal / Exit
User controls	picture adjust (brightness, contrast, i-Style colour, ACR, Eco, OD, X-res technology), colour settings (gamma, RGB range, colour temp.), image settings (auto adjust, clock, phase, horizontal position, vertical position, video mode adjust, BLR, sharp and soft), OSD (OSD H. Position, OSD V. Position, OSD time, OSD background, language), extra (reset, DDC / CI, signal select, audio input, LED, opening logo, Adaptive Sync, display information)
Speakers	2 x 2W
Convenience	Kensington-lock™ prepared, DDC/CI, DDC2B, Mac OSX

04 MECHANICAL

Display position adjustments	height, pivot (rotation), swivel, tilt
Height adjustment	130mm
Rotation (PIVOT function)	90°
Swivel stand	90°; 45° left; 45° right
Tilt angle	20° up; 5° down
VESA mounting	100 x 100mm

05 ACCESSORIES INCLUDED

Cables	power, HDMI
Other	quick start guide, safety guide

06 POWER MANAGEMENT

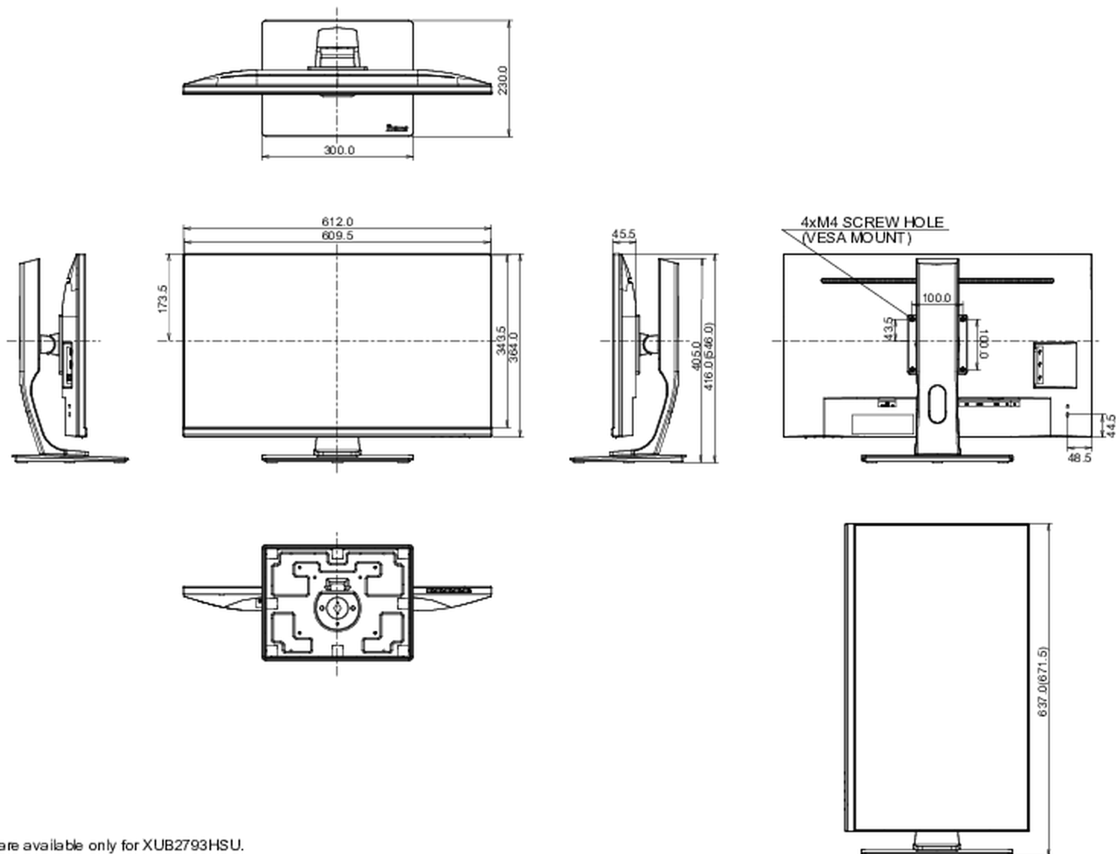
Power supply unit	internal
Power supply	AC 100 - 240V, 50/60Hz
Power usage	19W typical, 0.5W stand by, 0.5W off mode

07 SUSTAINABILITY

Regulations	CE, TÜV-Bauart, EAC, VCCI-B, PSE, RoHS support, ErP, WEEE, REACH, UKCA
Energy efficiency class (Regulation (EU) 2017/1369)	E
REACH SVHC	above 0.1%: Lead

08 DIMENSIONS / WEIGHT

Product dimensions W x H x D	612 x 416(546) x 230mm
Box dimensions W x H x D	736 x 434 x 187mm
Weight (without box)	6.7kg
Weight (with box)	8.5kg
EAN code	4948570118793



* USB are available only for XUB2793HSU.

All trademarks and registered trademarks acknowledged. E & O E. Specification subject to change without notice. All LCD's comply with ISO-9241-307:2008 in connection with pixel defects.

© IIYAMA CORPORATION. ALL RIGHTS RESERVED