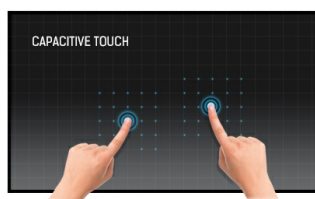




### 21.5" PCAP 10pt touchscreen monitor featuring IPS panel technology, Edge-to-Edge glass design and anti fingerprint coating

With its Full HD (1920x1080) resolution and accurate Projective Capacitive 10 point touch technology, the ProLite T2252MSC-B2 delivers seamless and accurate touch response. Featuring IPS LCD screen technology, it offers exceptional colour performance and wide viewing angles, making it a perfect choice for a vast array of interactive applications. The flexible stand can be positioned at several angles creating a comfortable and ergonomic user experience and the integrated cable management system hides all the cables and electrical wires giving a neat and cable-free workspace. In addition, the edge-to-edge glass and ultra slim design creates an eye-catching finish. The ProLite T2252MSC-B2 is the ideal solution for interactive signage, instore retail, POS and interactive presentations.

Available also in white : [ProLite T2252MSC-W2](#)



#### Touch technology - Capacitive

This technology uses a sensor-grid of micro-fine wires integrated into the glass that covers the screen. Touch is detected because electrical characteristics of the sensor grid change when human finger is placed on the glass. Thanks to the glass overlay this technology is highly durable, and the touch function remains unaffected even if the glass is scratched. It offers perfect picture performance and will work with human finger (also latex gloved) and stylus-pen.



#### IPS Technology

IPS displays are best known for wide viewing angles and natural, highly accurate colours. They are especially suited for colour-critical applications.

## 01 DISPLAY CHARACTERISTICS

Design	Ultra thin bezel
Diagonal	21.5", 54.5cm
Panel	IPS
Native resolution	1920 x 1080 (2.1 megapixel Full HD)
Aspect ratio	16:9
Panel brightness	250 cd/m <sup>2</sup>
Brightness	225 cd/m <sup>2</sup> with touch
Light transmittance	90%
Static contrast	1000:1
Response time (GTG)	5ms
Viewing zone	horizontal/vertical: 178°/178°, right/left: 89°/89°, up/down: 89°/89°
Colour support	16.7mln
Horizontal Sync	30 - 83kHz
Viewable area W x H	478.6 x 260mm
Pixel pitch	0.249mm
Bezel colour and finish	black, matte

## 02 TOUCH

Touch technology	projective capacitive
Touch points	10 (HID, only with supported OS)
Touch method	stylus, finger, glove
Touch interface	USB
Supported operating systems	All iiyama monitors are Plug & Play and compatible with Windows and Linux. For details regarding the supported OS for the touch models, please refer to the driver instruction file available in the downloads section.
Palm rejection	yes

## 03 INTERFACES / CONNECTORS / CONTROLS

Digital signal input	HDMI x1 DisplayPort x1
Audio output	Mini jack x1 Speakers 2 x 1W
HDCP	yes
USB HUB	x2 (USB 3.2 Gen 1 (5Gbps, 5V, 900mA))

## 04 FEATURES

Extra	Anti-fingerprint coating, touch support with gloved hand (thickness +2mm)
Glass hardness	7H
OSD key lock	yes

## 05 GENERAL

OSD languages	EN, DE, FR, IT, CN, RU, JP, CZ, NL, PL
Control buttons	Joystick: right/menu/enter, left/input/exit, up/eco, down, power

**User controls**

picture adjust (brightness, contrast, i-Style, adv. contrast, ECO, OD, X-Res), color settings (gamma, rgb range, color temp.), image settings (video mode adjust, blue light reducer, sharp & soft), OSD (horizontal position, vertical pos., time, background), extra (reset, dcc/ci, signal select, volume, mute, opening logo, led, touch switch)

**Convenience**

Kensington-lock™ prepared

**Blue light reducer**

yes

**Plug&Play**

DDC2B

**06 MECHANICAL****Tilt angle**

90° up; 5° down

**VESA mounting**

100 x 100mm

**07 ACCESSORIES INCLUDED****Cables**

power, USB, HDMI

**Guides**

quick start guide, safety guide

**Cable cover**

yes

**08 POWER MANAGEMENT****Power supply unit**

internal

**Power supply**

AC 100 - 240V, 50/60Hz

**Power usage**

11W typical, 1.5W stand by, 0.3W off mode

**09 SUSTAINABILITY****Regulations**

CE, TÜV-Bauart, EAC, RoHS support, ErP, WEEE, REACH, UKCA

**Energy efficiency class (Regulation (EU) 2017/1369)**

C

**REACH SVHC**

above 0.1%: Lead

**10 DIMENSIONS / WEIGHT****Product dimensions W x H x D**

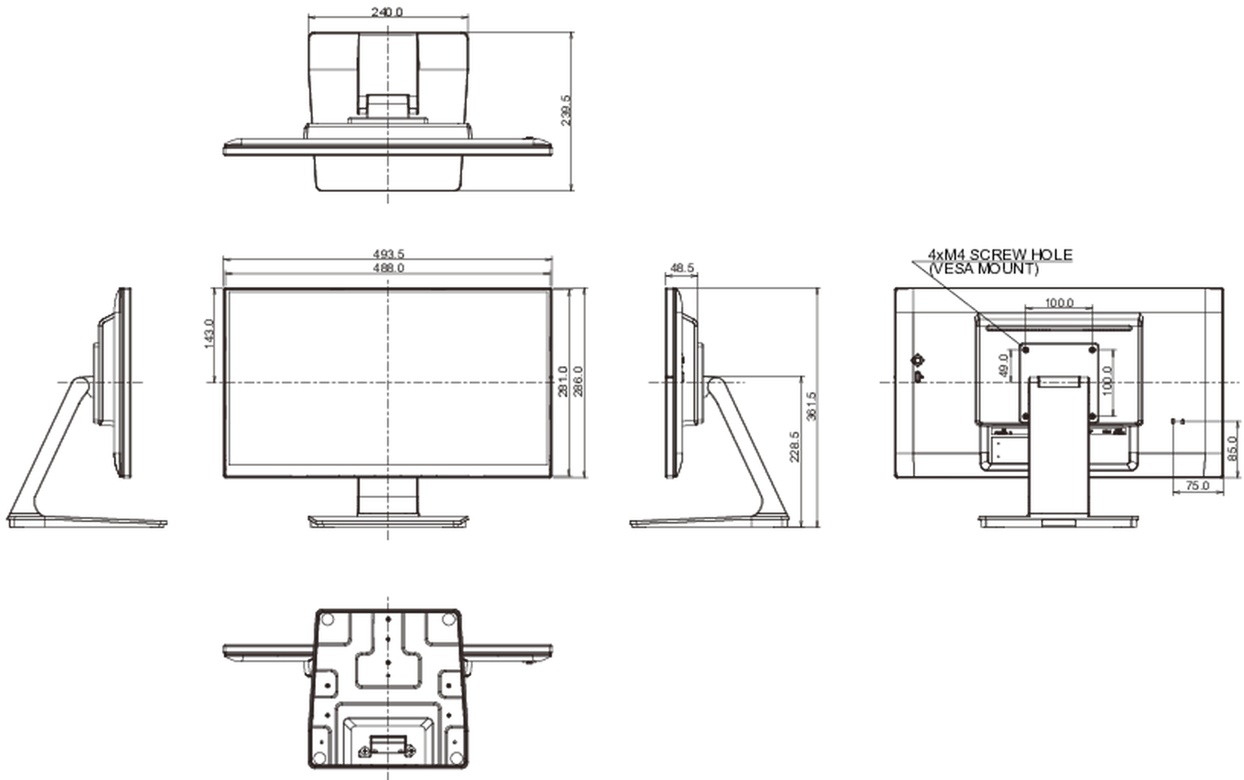
493.5 x 361.5 x 239.5mm

**Weight (without box)**

4.5kg

**EAN code**

4948570121809



All trademarks and registered trademarks acknowledged. E & O E. Specification subject to change without notice. All LCD's comply with ISO-9241-307:2008 in connection with pixel defects.

© IIYAMA CORPORATION. ALL RIGHTS RESERVED