

MULTI MOUNT

for iPad mini



ADA-friendly Room Scheduling Enclosure

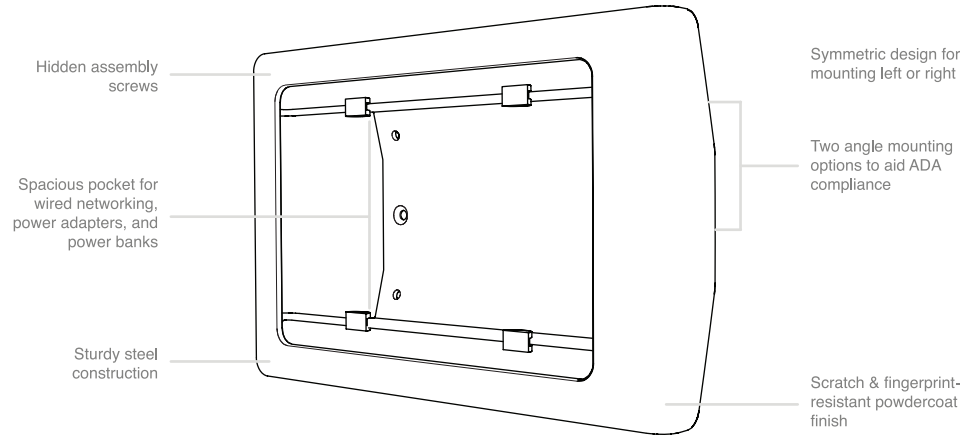
Easily mount iPad mini to mullions and drywall to create beautiful room scheduling displays. Install vertically or at a 15-degree upward angle. Multi Mount features a hidden pocket to hide and store power and networking adapters (sold separately)—while maintaining a slim profile. Multi Mount features rigid, commercial-grade construction, simple installation, and an attractive and durable powder coat finish.

MULTI MOUNT

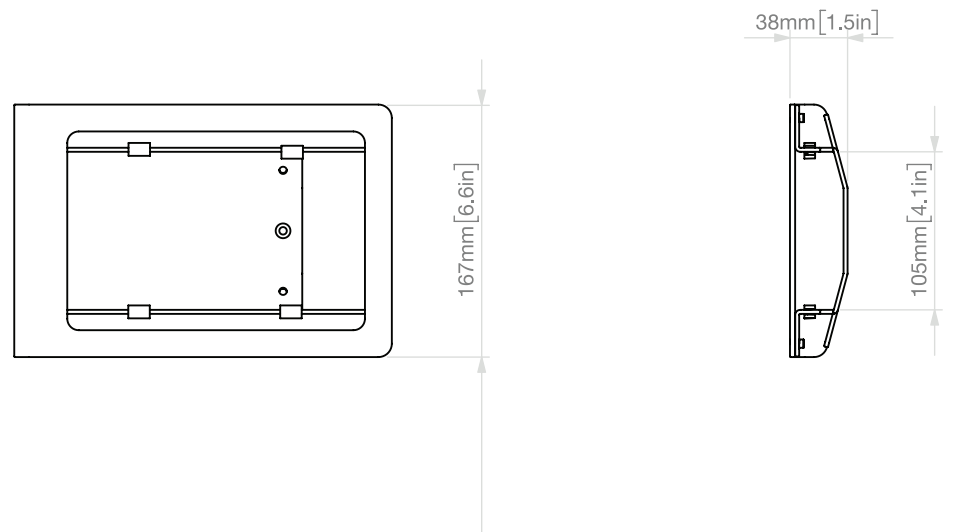
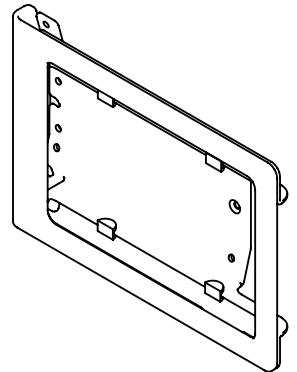
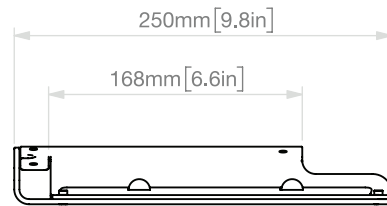
H527

for iPad mini

Features



Dimensions

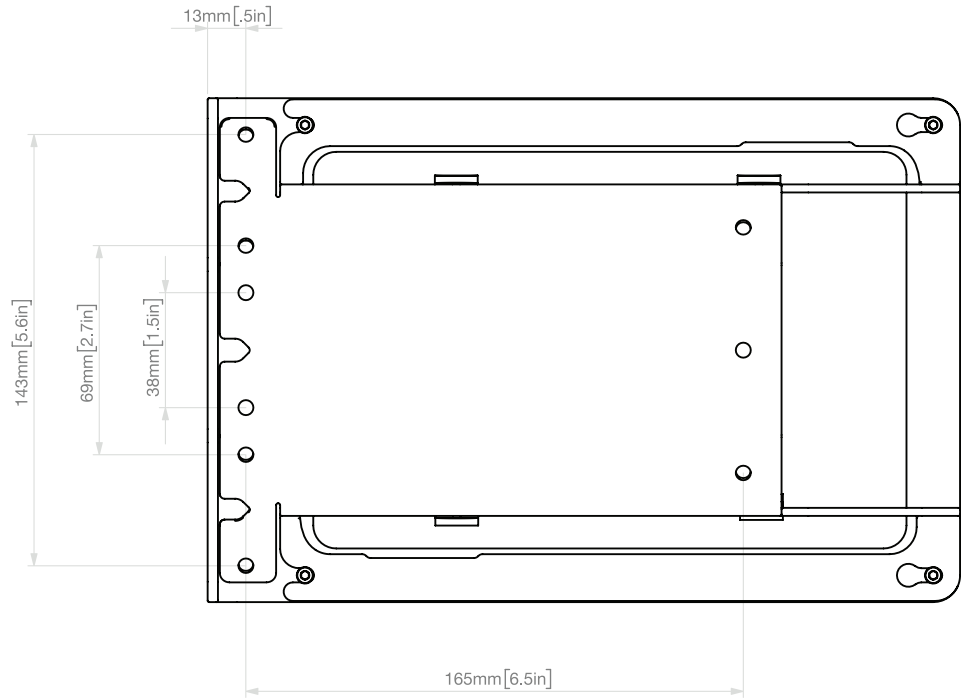


MULTI MOUNT

H527

for iPad mini

Mounting Hole Pattern



MULTI MOUNT

H527

for iPad mini

Specifications

Price	\$149
SKU	H527
Height	7.9 inches
Width	11.3 inches
Depth	1.5 inches
Weight	3 pounds
Viewing Angle	0, 15 degrees
Warranty	2 years

Colors

Name	SKU	UPC
Black Grey	H527-BG	600978413491
Grey White	H527-GW	600978413507

Compatible Devices

iPad mini 1
iPad mini 2
iPad mini 3
iPad mini 4

In the Box

WindFall Multi Mount for iPad mini
Self-tapping mullion mounting hardware
Drywall mounting hardware
Assembly tool

Accessories

T267 - Redpark Gigabit + PoE Adapter for iPad
T255 - PoE Texas PoE Splitter with Lightning Cable (Encased Power + Data)