

ZOOM ROOMS CONSOLE

for iPad mini



Secure Enclosure for iPad for Room Scheduling

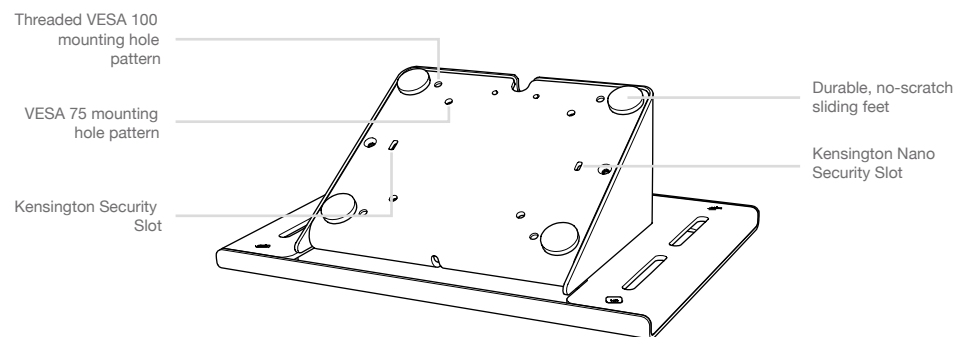
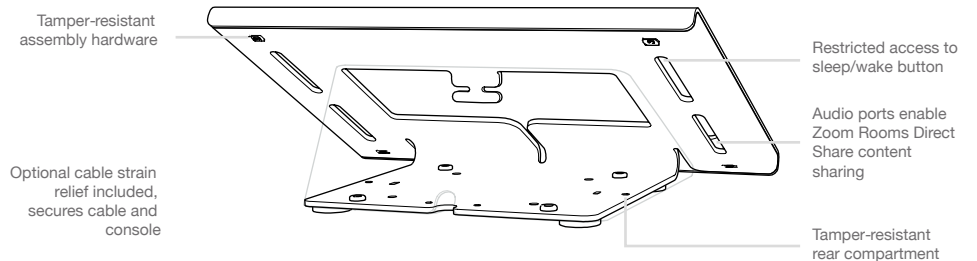
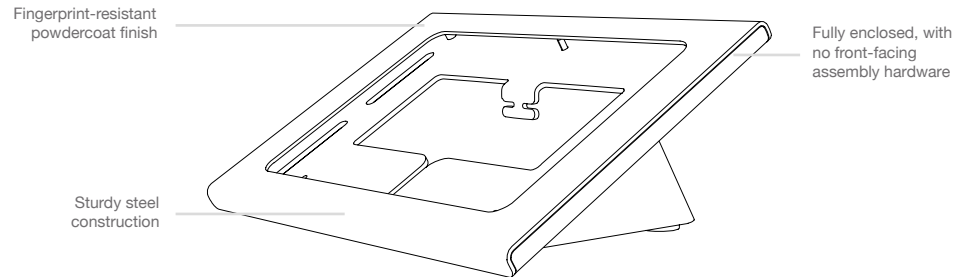
Designed in collaboration with the Zoom team specifically to control Zoom Rooms, this striking hardware enables you to use iPad mini without compromise. Sleek looks, commercial-grade construction, beautiful finish, and theft resistance, combine to produce an object you'd be proud to place between your CEO and your biggest client. Optional PoE power with MFi-Certified Gigabit Ethernet networking available.

ZOOM ROOMS CONSOLE

H529

for iPad mini

Features

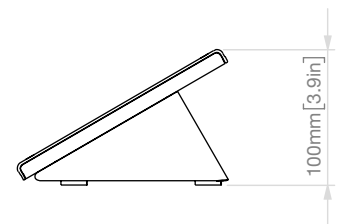
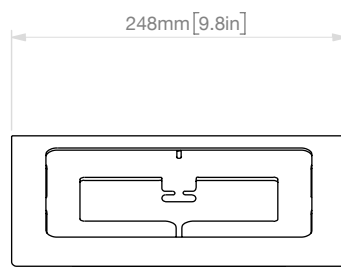
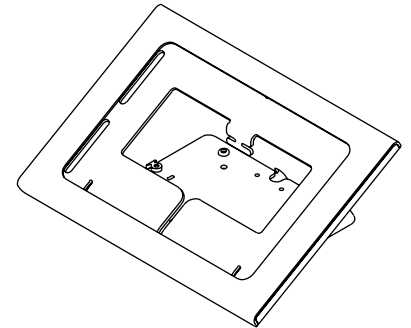
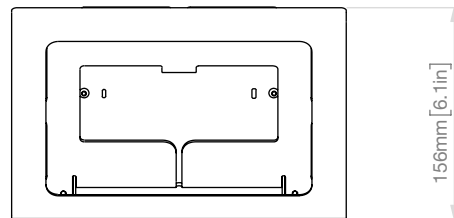


ZOOM ROOMS CONSOLE

H529

for iPad mini

Dimensions



ZOOM ROOMS CONSOLE

H529

for iPad mini

Specifications

Price	\$189
SKU	H529
Height	3.9 inches
Width	9.8 inches
Depth	6.1 inches
Weight	3.75 pounds
Warranty	2 years

Colors

Name	SKU
Black Grey	H529-BG
Grey White	H529-GW

Compatible Devices

iPad mini 1
iPad mini 2
iPad mini 3
iPad mini 4

In the Box

Zoom Rooms Console
VESA mounting hardware
Cord anchor
Assembly tool

Accessories

T272 - Gigabit Ethernet + Power Over Ethernet Upgrade Kit
T273 - Gigabit Ethernet + AC Power Upgrade Kit