

# Owner's Manual

## Havis Docking Station

### For Zebra ET5X 8" Tablet w/ Rugged Frame (DS-ZEB-100 Series) and ET5X 10" Tablet w/ Rugged Frame (DS-ZEB-200 Series)

## DS-ZEB-100 Series

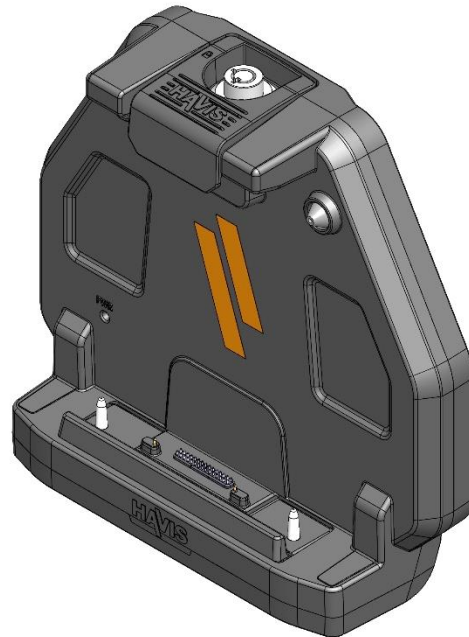
DS-ZEB-101

DS-ZEB-102-ISO

DS-ZEB-103

DS-ZEB-104

DS-ZEB-105-ISO



## DS-ZEB-200 Series

DS-ZEB-201

DS-ZEB-202-ISO

DS-ZEB-203

DS-ZEB-204

DS-ZEB-205-ISO



# Before Beginning

Havis is pleased to provide this Owner's Manual to aid in the proper installation and use of the DS-ZEB-100 Series Docking Station for the Zebra ET5X 8" Tablet with Rugged Frame, and the DS-ZEB-200 Series Docking Station for the Zebra ET5X 10" Tablet with Rugged Frame.

For questions regarding the set-up of your DS-ZEB-100 Series Docking Station, or the DS-ZEB-200 Series Docking Station please contact Havis at 1-800-524-9900 or visit [www.havis.com](http://www.havis.com) for additional product support and information.

This Owner's Manual applies to the following Product Numbers:

DS-ZEB-101	DS-ZEB-104
DS-ZEB-101-ISO	DS-ZEB-105-ISO
DS-ZEB-103	
DS-ZEB-201	DS-ZEB-204
DS-ZEB-202-ISO	DS-ZEB-205-ISO
DS-ZEB-203	

## WARNING

- NEVER STOW OR MOUNT THE DOCKING STATION DIRECTLY IN A VEHICLE AIRBAG DEPLOYMENT ZONE.
- DO NOT USE TABLET WHILE DRIVING.

## CAUTION

- READ ALL INSTRUCTIONS THOROUGHLY BEFORE BEGINNING INSTALLATION.
- DO NOT STORE, INSTALL, OR OPERATE THE DOCKING STATION WHERE WATER, MOISTURE, STEAM, DUST, ETC. ARE PRESENT
- FOR THE DS-ZEB-103 and the DS-ZEB-203: DO NOT CONNECT THE TABLET DIRECTLY TO THE VEHICLE VOLTAGE SOURCE: The Zebra ET5X Tablet requires a certified, Zebra approved power source. Failure to comply with this requirement will cause product damage that is NOT repairable and is NOT covered under warranty.

## NOTICE

- The DS-ZEB-100 Series Docking Station is only compatible with the Zebra ET5X 8" Tablet equipped with the 8" Rugged Frame Installed. The ET5X 8" Tablet must have the Rugged I/O connector included with the ET5X Compatible Rugged Frame installed for full functionality of the docking station.
- The DS-ZEB-200 Series Docking Station is only compatible with the Zebra ET5X 10" Tablet equipped with the 10" Rugged Frame Installed. The ET5X 10" Tablet must have the Rugged I/O connector included with the ET5X Compatible Rugged Frame installed for full functionality of the docking station.

## Precautions

- Do not place metal objects or containers of liquid on top of the Docking Station.
- If a malfunction occurs, immediately unplug the Power Supply and remove the tablet.
- Use only the specified Power Supply Cable with this Docking Station (DS-DA-317 or DS-DA-336).
- Do not connect cables into ports other than what they are specified for.
- Do not leave the Docking Station in a high temperature environment (greater than 85°C, 185°F) for a long period of time.

# DS-ZEB-100 Series Specifications

	<b>DS-ZEB-101 &amp; DS-ZEB-104</b>	<b>DS-ZEB-102-ISO &amp; DS-ZEB-105-ISO</b>
<b>Power Supply Input</b>	9-36V DC-In*	18-75V DC-In**
<b>Dimensions</b>	8.195" (20.82 cm) H x 8.750" (22.23 cm) W x 2.810" (7.14 cm) D	
<b>Weight</b>	1.86 lbs. (0.845 kg)	

\* DS-ZEB-100 Series docks configured for 9-36V DC Input have a fuse rated at 6.3A.

\*\* DS-ZEB-100 Series docks configured for 18-75V DC Input have a fuse rated at 10A.

	<b>DS-ZEB-100 SERIES DOCK</b>	<b>ZEBRA ET5X 8" TABLET</b>
<b>Operating Environment</b>	-30° C to 80° C (-22° F to 176° F)	-20° C to 50° C (-4° F to 122° F)
<b>Storage Environment</b>	-40° C to 85° C (-40° F to 185° F)	-20° C to 60° C (-4° F to 140° F)

## Certifications

### CAN ICES-3 (B)/NMB-3(B)

**FCC 47CFR, Part 15 compliance:** This is an FCC Class B device. Any changes or modifications to the model DS-ZEB-10X not expressly approved by Havis, Inc. could void the user's authority to operate this equipment.

### EU DECLARATION OF CONFORMITY [CWN1]

**Manufacturers Name:** Havis, Inc.  
**Manufacturers Addresses:** 75 Jacksonville Road, Warminster, PA, 18974, USA

**This declaration of conformity is issued under the sole responsibility of the manufacturer.**

**Product name:** Havis Docking Station for Zebra ET5X 8" Tablet w/ Rugged Frame  
**Model:** DS-ZEB-10X, where 'X' may be any alphanumeric character and which describes product options. May be followed by any alphanumeric characters which describe product options.

**Product Options:** This declaration covers all options of the above product which bear the CE Marking.

**Is in conformity with the following directives, standards, or other normative documents:**

**UN ECE Regulation 10** UNECE Regulation 10.05, Paragraph 3.2.9; Clauses 6.5, 6.6, 6.7, 6.9; "Uniform provisions concerning the approval of vehicles with regard to electromagnetic compatibility"

**EMC Directive 2014/30/EU** EN 50498:2010, "Electromagnetic compatibility (EMC) - Product family standard for aftermarket electronic equipment in vehicles"

**RoHS Directive 2011/65/EU** EN 50581:2012, "Technical documentation for the assessment of electrical and electronic products with respect to the restriction of hazardous substances"

The object of the declaration described above is in conformity with Directive 2011/65/EU of the European Parliament and[CWN2] of the Council of 8 June 2011 on the restriction of the use of certain hazardous substances in electrical and electronic equipment.

### UKCA DECLARATION OF CONFORMITY

**Manufacturers Name:** Havis, Inc.  
**Manufacturers Addresses:** 75 Jacksonville Road, Warminster, PA, 18974, USA

**This declaration of conformity is issued under the sole responsibility of the manufacturer.**

**Product name:** Havis Docking Station for Zebra ET5X 8" Tablet w/ Rugged Frame  
**Model:** DS-ZEB-10X, where 'X' may be any alphanumeric character and which describes product options. May be followed by any alphanumeric characters which describe product options.

**Product Options:** This declaration covers all options of the above product which bear the UKCA Marking.

**Electromagnetic Compatibility Regulations 2016** BS EN 50498 "Electromagnetic compatibility (EMC) - Product family standard for aftermarket electronic equipment in vehicles"

**The Restriction of the Use of Certain Hazardous Substances in Electrical and Electronic Equipment Regulations 2012** BS EN 63000:2018, "Technical documentation for the assessment of electrical and electronic products with respect to the restriction of hazardous substances"

### Supplementary Information:

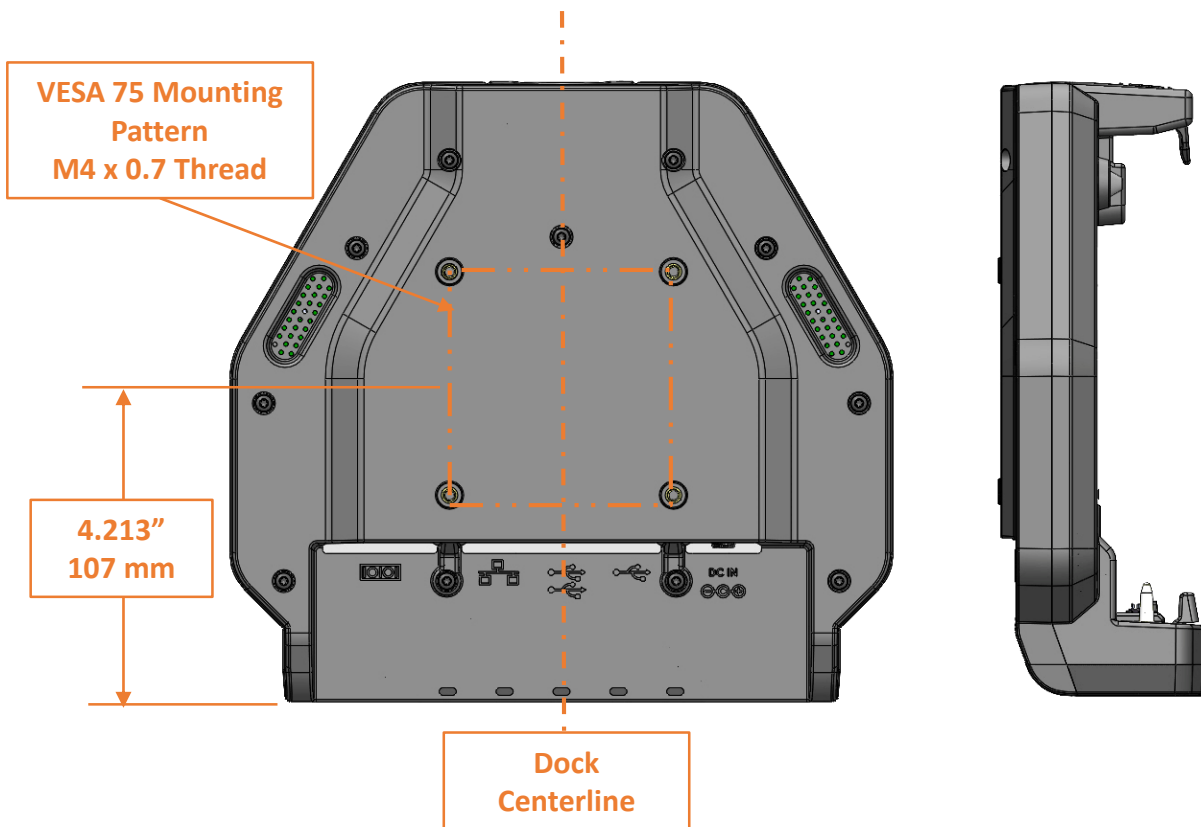
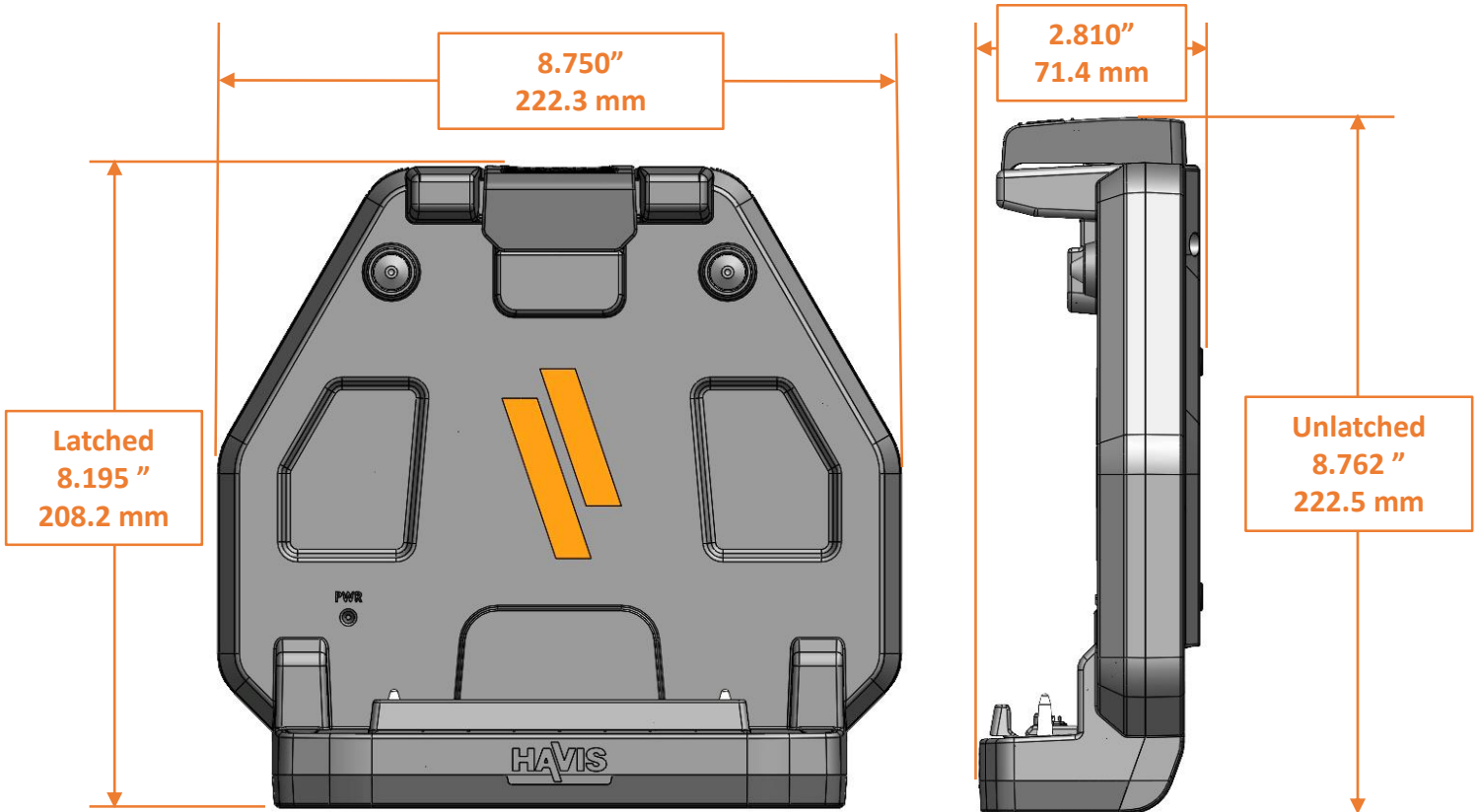
The object of the declarations described above is in conformity with the relevant Union harmonization legislation.

This product requires the use of a recommended E Marked automotive power supply when used within vehicles.

Signed for and on behalf of Havis, Inc.:

75 Jacksonville Road, Warminster, PA, 18974, USA, November 20, 2020 Bruce Jonik, Director of Engineering , Havis, Inc.

# DS-ZEB-100 Series Specifications



# DS-ZEB-200 Series Specifications

	<b>DS-ZEB-201 &amp; DS-ZEB-204,</b>	<b>DS-ZEB-202-ISO &amp; DS-ZEB-205-ISO</b>
<b>Power Supply Input</b>	9-36V DC-In*	18-75V DC-In**
<b>Dimensions</b>	9.407" (23.89 cm) H x 8.750" (22.23 cm) W x 2.810" (7.14 cm) D	
<b>Weight</b>	2.07 lbs. (0.939 kg)	

\* DS-ZEB-200 Series docks configured for 9-36V DC Input have a fuse rated at 6.3A.

\*\* DS-ZEB-200 Series docks configured for 18-75V DC Input have a fuse rated at 10A.

	<b>DS-ZEB-200 SERIES DOCK</b>	<b>ZEBRA ET5X 10" TABLET</b>
<b>Operating Environment</b>	-30° C to 80° C (-22° F to 176° F)	-20° C to 50° C (-4° F to 122° F)
<b>Storage Environment</b>	-40° C to 85° C (-40° F to 185° F)	-20° C to 60° C (-4° F to 140° F)

## Certifications

### CAN ICES-3 (B)/NMB-3(B)

**FCC 47CFR, Part 15 compliance:** This is an FCC Class B device. Any changes or modifications to the model DS-ZEB-10X not expressly approved by Havis, Inc. could void the user's authority to operate this equipment.

### EU DECLARATION OF CONFORMITY [CWN1]

**Manufacturers Name:** Havis, Inc.  
**Manufacturers Addresses:** 75 Jacksonville Road, Warminster, PA, 18974, USA

**This declaration of conformity is issued under the sole responsibility of the manufacturer.**

**Product name:** Havis Docking Station for Zebra ET5X 10" Tablet w/ Rugged Frame  
**Model:** DS-ZEB-20X, where 'X' may be any alphanumeric character and which describes product options. May be followed by any alphanumeric characters which describe product options.

**Product Options:** This declaration covers all options of the above product which bear the CE Marking.

**Is in conformity with the following directives, standards, or other normative documents:**

**UN ECE Regulation 10** UNECE Regulation 10.05, Paragraph 3.2.9; Clauses 6.5, 6.6, 6.7, 6.9; "Uniform provisions concerning the approval of vehicles with regard to electromagnetic compatibility"

**EMC Directive 2014/30/EU** EN 50498:2010, "Electromagnetic compatibility (EMC) - Product family standard for aftermarket electronic equipment in vehicles"

**RoHS Directive 2011/65/EU** EN 50581:2012, "Technical documentation for the assessment of electrical and electronic products with respect to the restriction of hazardous substances"

The object of the declaration described above is in conformity with Directive 2011/65/EU of the European Parliament and [CWN2] of the Council of 8 June 2011 on the restriction of the use of certain hazardous substances in electrical and electronic equipment.

### UKCA DECLARATION OF CONFORMITY

**Manufacturers Name:** Havis, Inc.  
**Manufacturers Addresses:** 75 Jacksonville Road, Warminster, PA, 18974, USA

**This declaration of conformity is issued under the sole responsibility of the manufacturer.**

**Product name:** Havis Docking Station for Zebra ET5X 810" Tablet w/ Rugged Frame  
**Model:** DS-ZEB-20X, where 'X' may be any alphanumeric character and which describes product options. May be followed by any alphanumeric characters which describe product options.

**Product Options:** This declaration covers all options of the above product which bear the UKCA Marking.

**Electromagnetic Compatibility Regulations 2016** BS EN 50498 "Electromagnetic compatibility (EMC) - Product family standard for aftermarket electronic equipment in vehicles"

**The Restriction of the Use of Certain Hazardous Substances in Electrical and Electronic Equipment Regulations 2012** BS EN 63000:2018, "Technical documentation for the assessment of electrical and electronic products with respect to the restriction of hazardous substances"

### Supplementary Information:

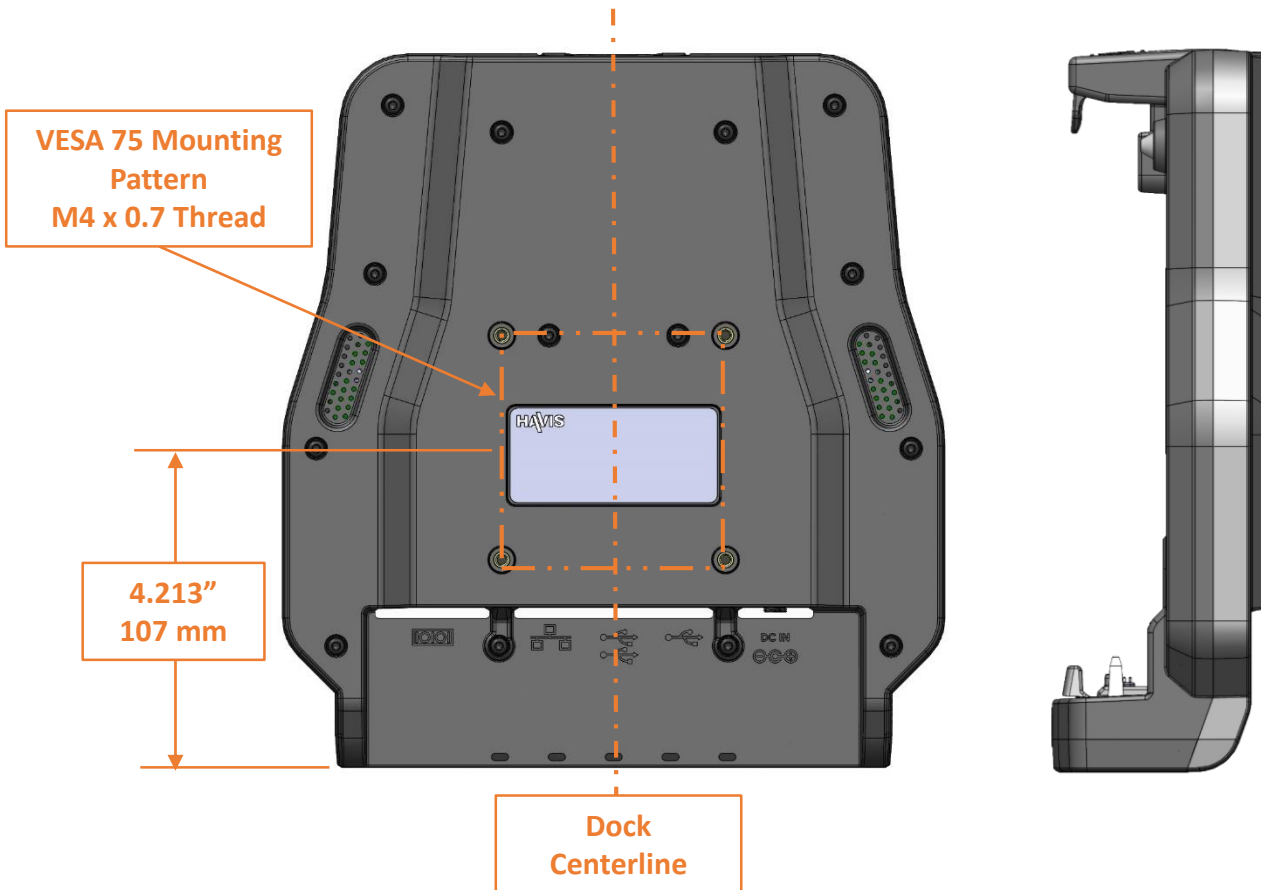
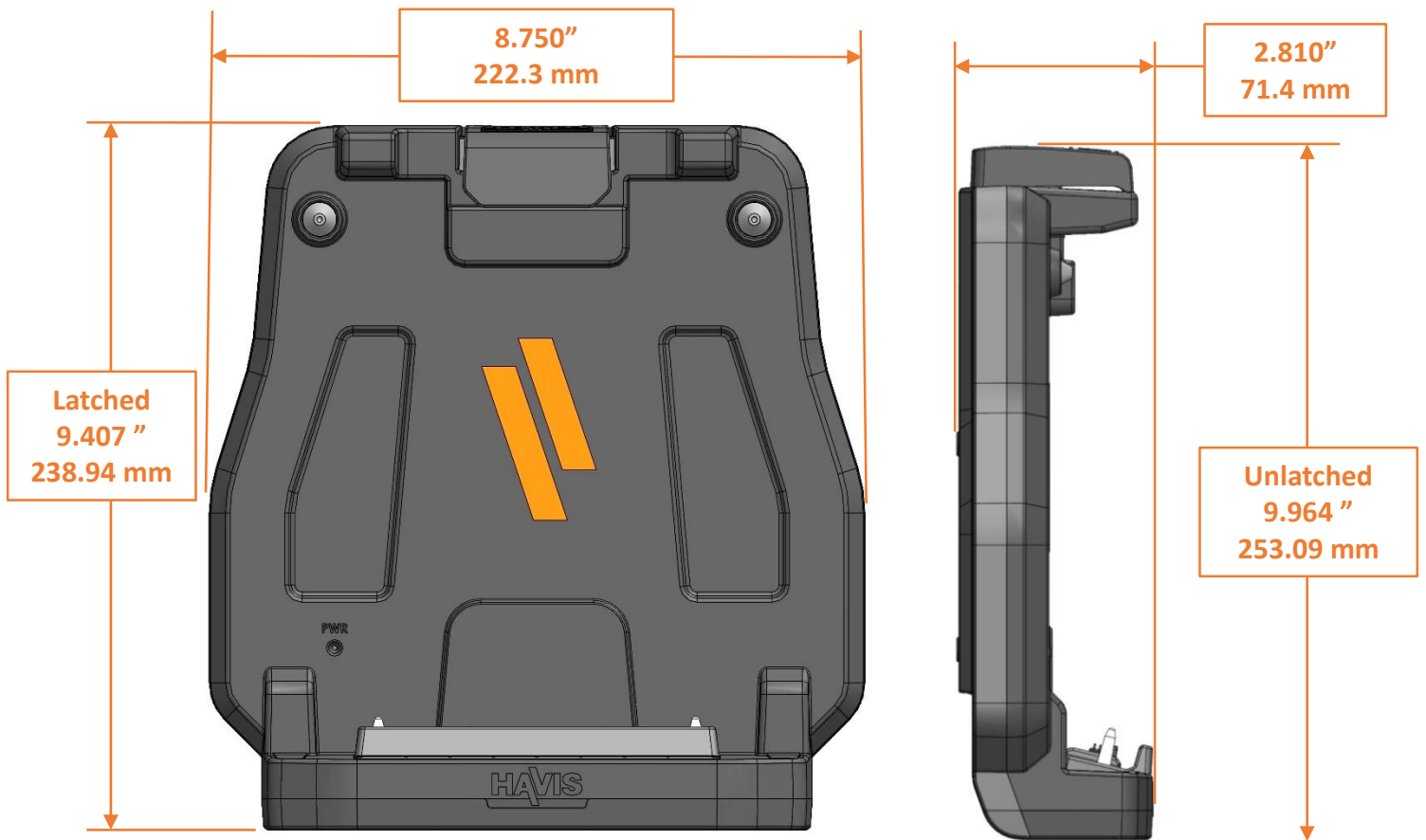
The object of the declarations described above is in conformity with the relevant Union harmonization legislation.

This product requires the use of a recommended E Marked automotive power supply when used within vehicles.

Signed for and on behalf of Havis, Inc.:

75 Jacksonville Road, Warminster, PA, 18974, USA, November 20, 2020 Bruce Jonik, Director of Engineering, Havis, Inc.

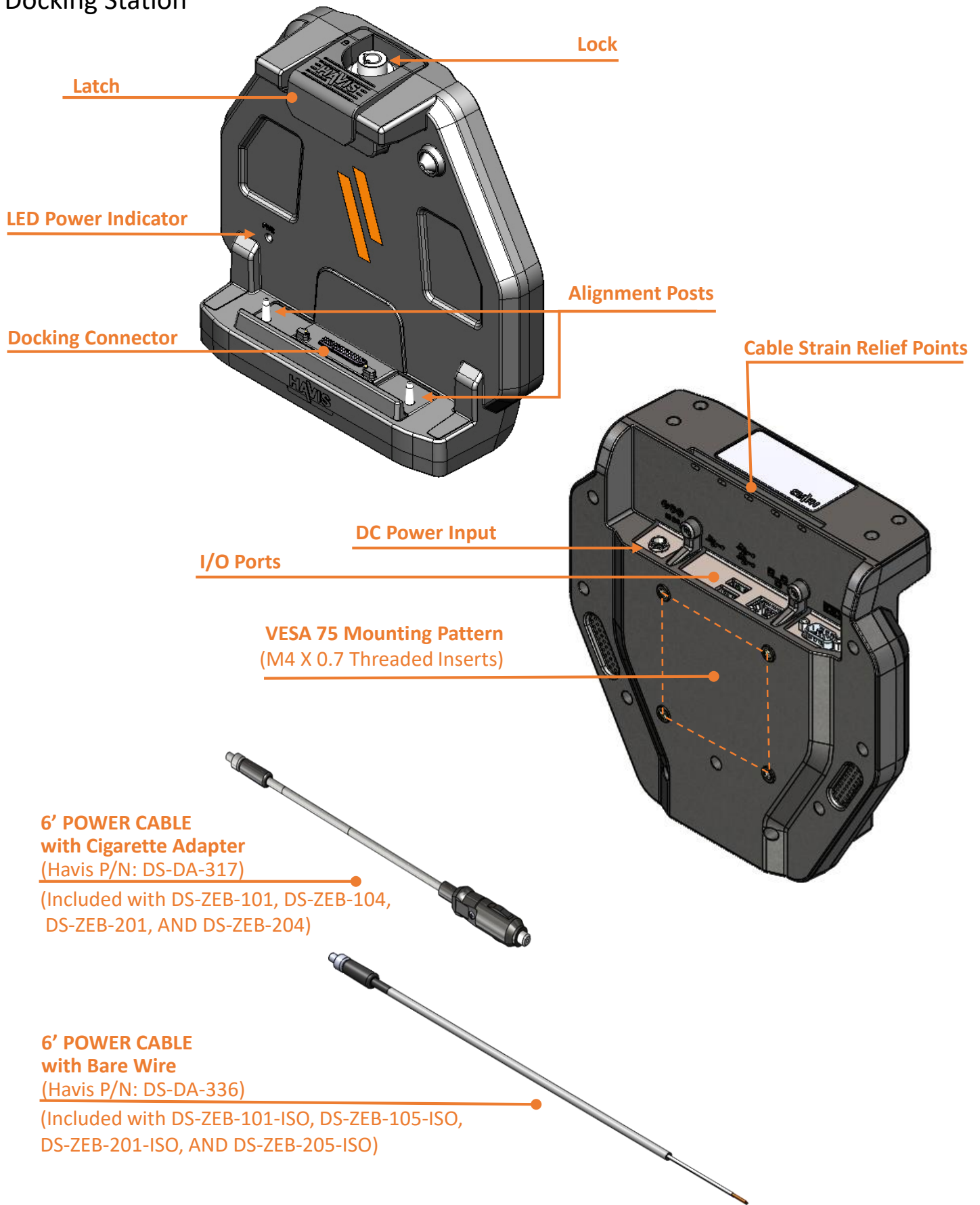
# DS-ZEB-200 SERIES Specifications





# Parts Included

## Docking Station



## Parts Included (continued)

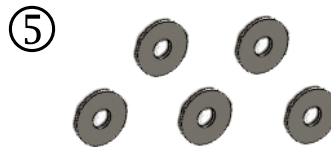
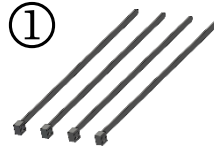
### Hardware Kit (HWK-0031)

This Hardware Kit includes:

1. Zip Ties (4)
2. Keys (2)
3. M4 x 0.7 x 20mm long Pan Head Screws (5)
4. Split Lock Washers (5)
5. Washers, M4 (5)

Tools required for installation:

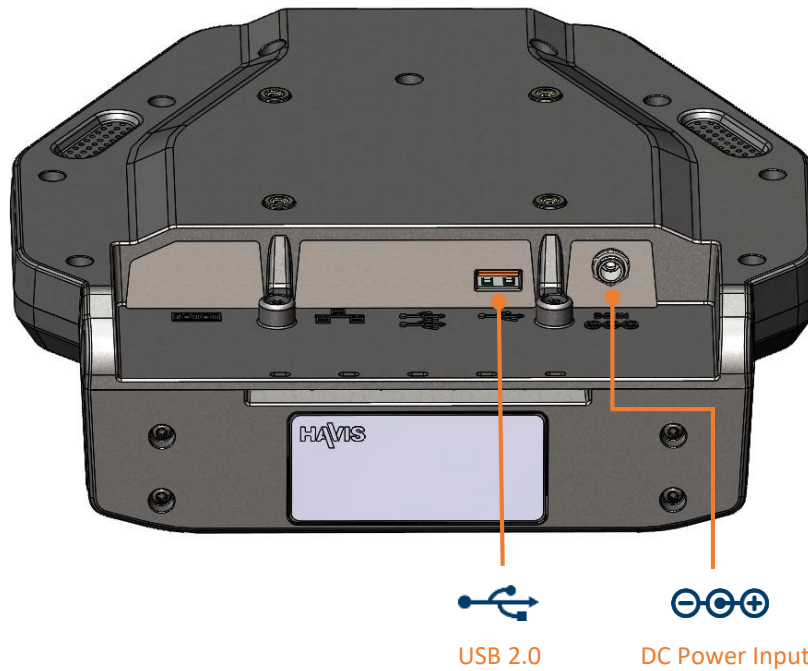
- #2 Phillips (For M4 Pan Head Screws)



## Port Replication Capability

### STANDARD I/O

DS-ZEB-101, DS-ZEB-102-ISO, DS-ZEB-201, DS-ZEB-202-ISO

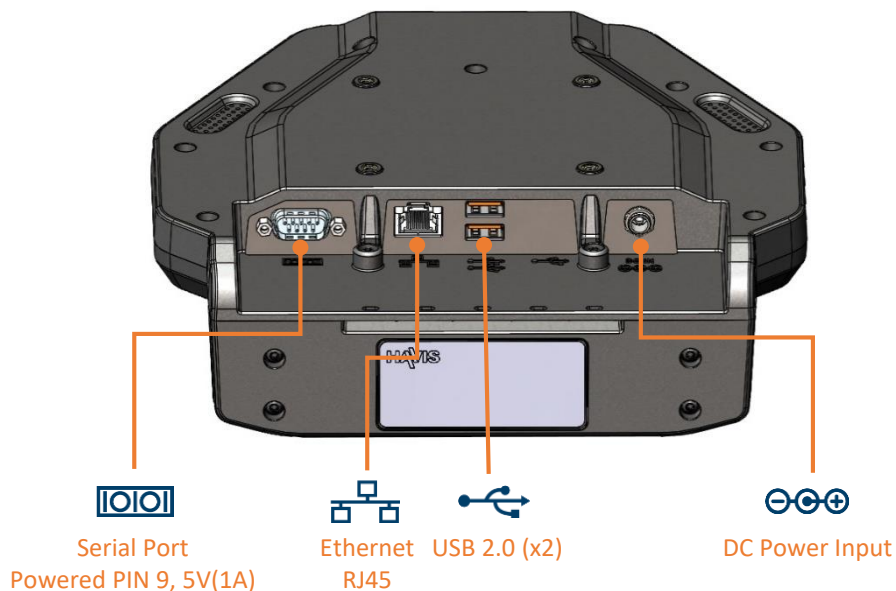




# Port Replication Capability *(continued)*

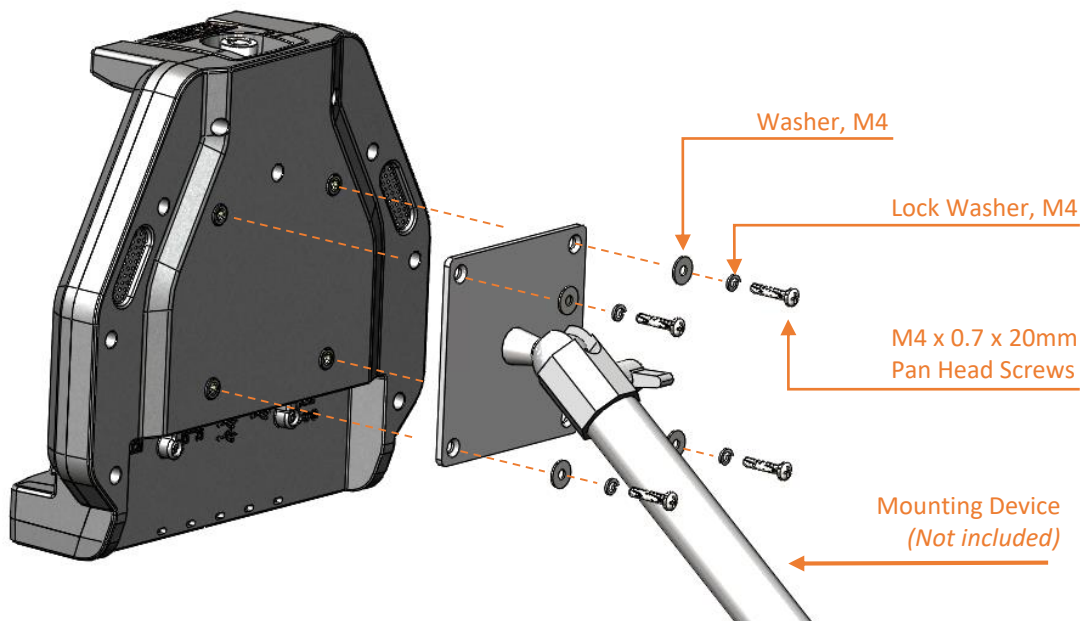
## ADVANCED I/O

DS-ZEB-104, DS-ZEB-105-ISO, DS-ZEB-204, DS-ZEB-205-ISO



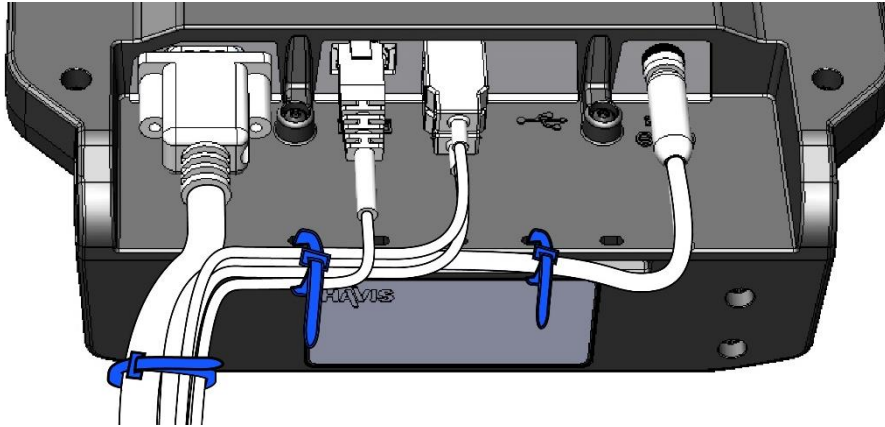
## Installation

- 1) Align Docking Station mounting holes with the hole pattern on mounting device. Using the four (4) M4 0.7 x 20mm Pan Head Screws (Hardware Kit Item 3), four (4) Washers, M4 (Hardware Kit Item 5), and four (4) Lock Washers, M4 (Hardware Kit Item 4), secure the Docking Station to device. Torque screws to 20 in-lbs (2.3Nm)  $\pm$  10%



# Cable Management

- 1) Tip the Docking Station to a position that is comfortable to work with.
- 2) Install all cables that are necessary for computing needs.
- 3) Use Zip Ties (Hardware Kit Item 1) and the Strain Relief Points to secure cables and reduce risk of accidental disconnects.



- 4) Create a service loop with cables to ensure that no tension is on the connectors and to enable intended motion.
- 5) Tie off cables onto a stationary part of the mounting system.

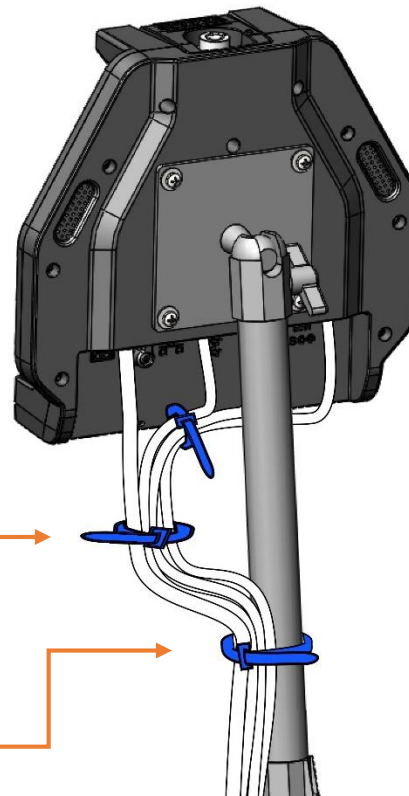
4

This loop must be large enough to allow full range of expected rotation and extension without stressing connections.

5

Collect cables to secure to the mounting system.

*(Note: mounting system not included)*

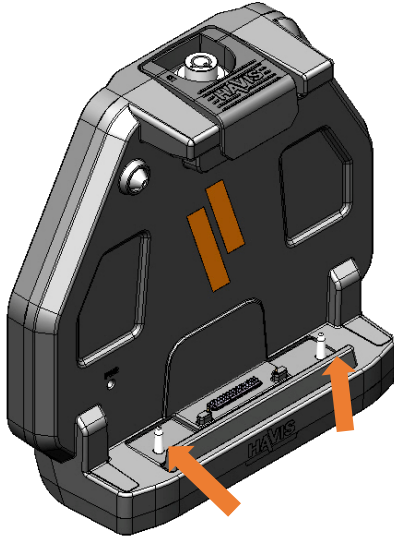


# Operation - Docking

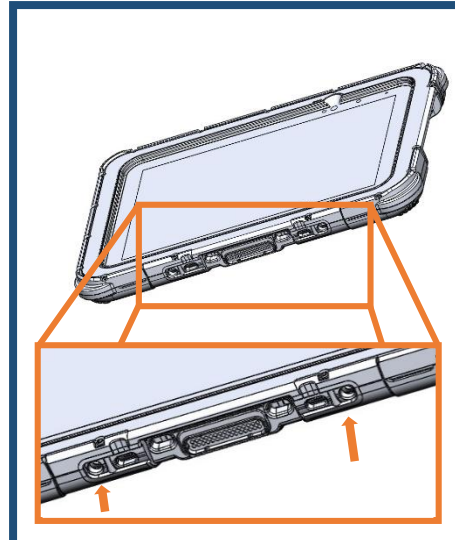
## CAUTION

**THE ZEBRA ET5X RUGGED FRAME WITH RUGGED I/O MUST BE INSTALLED ONTO THE TABLET PRIOR TO DOCKING. DO NOT FORCE TABLET ONTO DOCKING STATION. IF THERE IS RESISTANCE, CHECK ALIGNMENT OF TABLET ON DOCKING STATION.**

**NOTE: Ensure a proper connection by aligning the tablet's Alignment Sockets with the Docking Station's Alignment Posts**

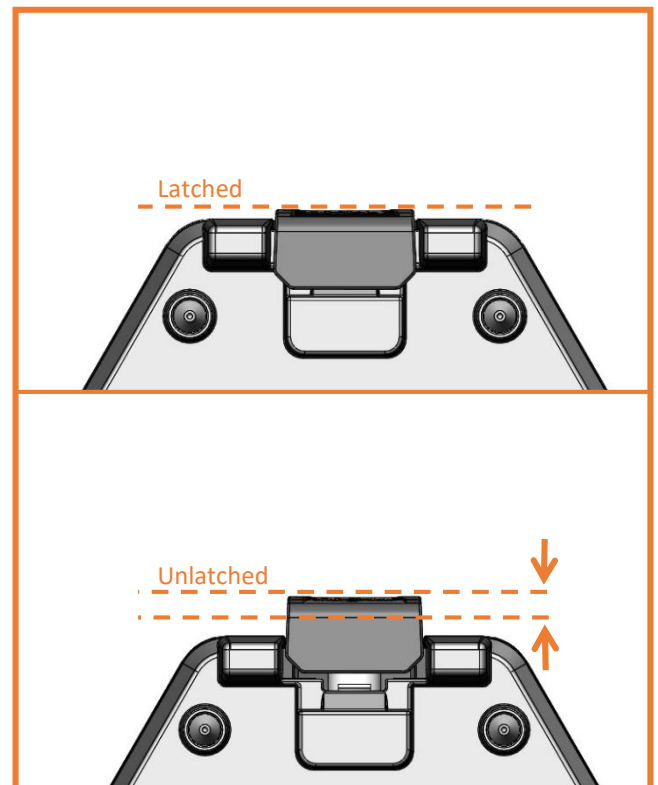
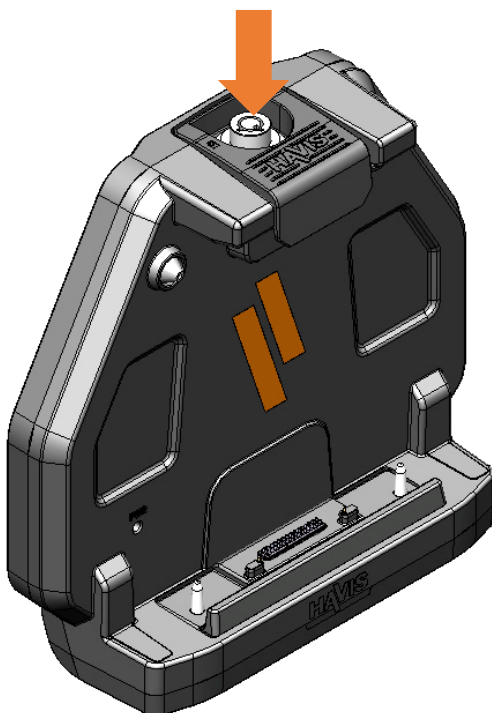


Alignment Posts on the DS-ZEB-100 Series & DS-ZEB-200 Series Docking Station



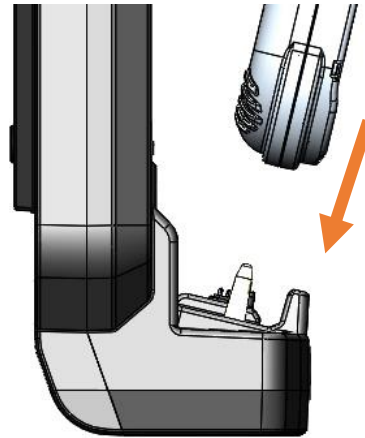
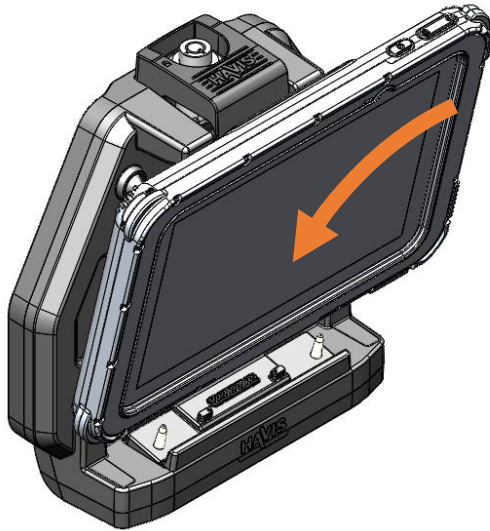
Alignment Sockets on the bottom of ZEBRA ET5X Tablet with Rugged Frame.

- 1) Docking Station must be unlatched before docking your tablet. Push down on the Lock button and release slowly.



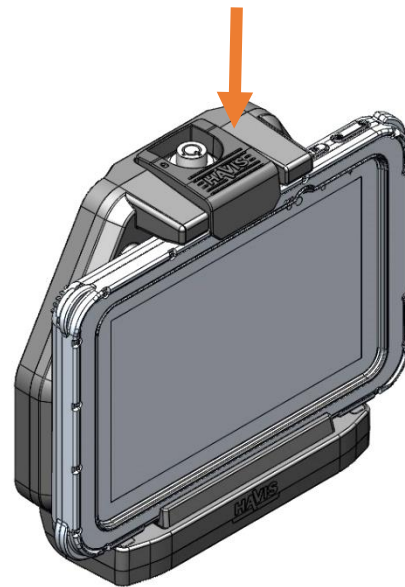
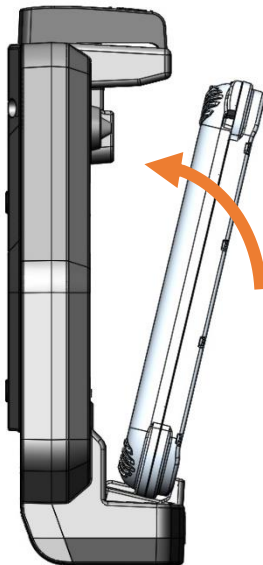
## Operation - Docking

- 2) The docking connector with the alignment posts should be angled away from dock and toward the user as shown in the side view. Hold the tablet in landscape orientation, and ensure the rugged I/O and alignment sockets on the tablet are angled toward the Docking Station. Lower the tablet onto the docking connector.

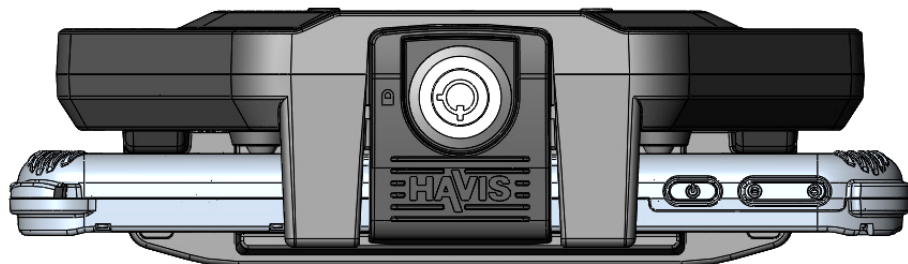


SIDE VIEW

- 3) Pivot the tablet so it sits flush in the Docking Station and hold while depressing the Latch Handle to secure the tablet in place. You will hear an audible click when Latch Hook is fully engaged.

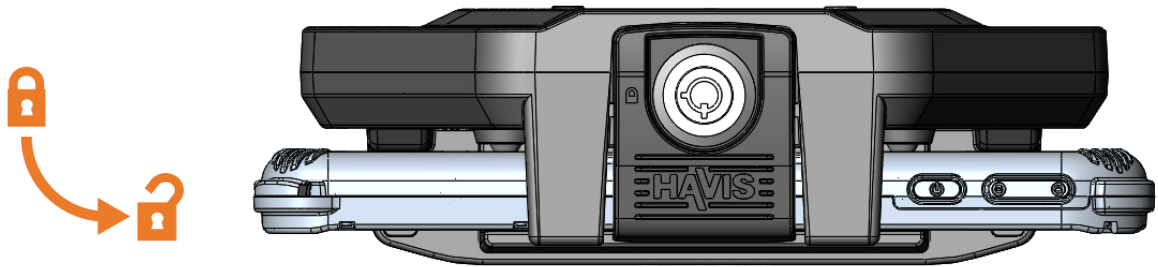


- 4) For theft deterrence, secure tablet by locking the Docking Station with supplied key (Hardware Kit Item 2).

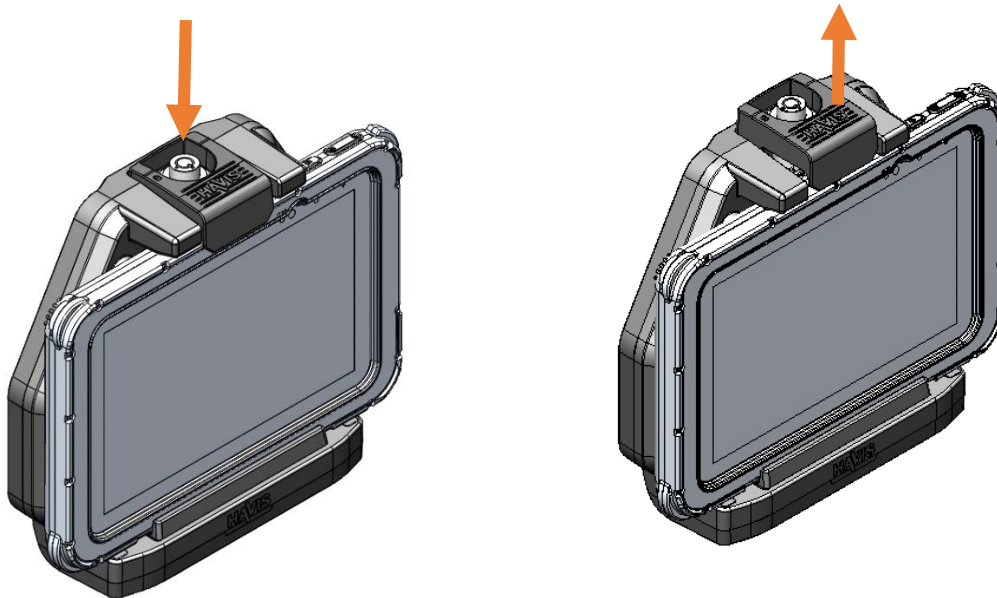


# Operation - Undocking

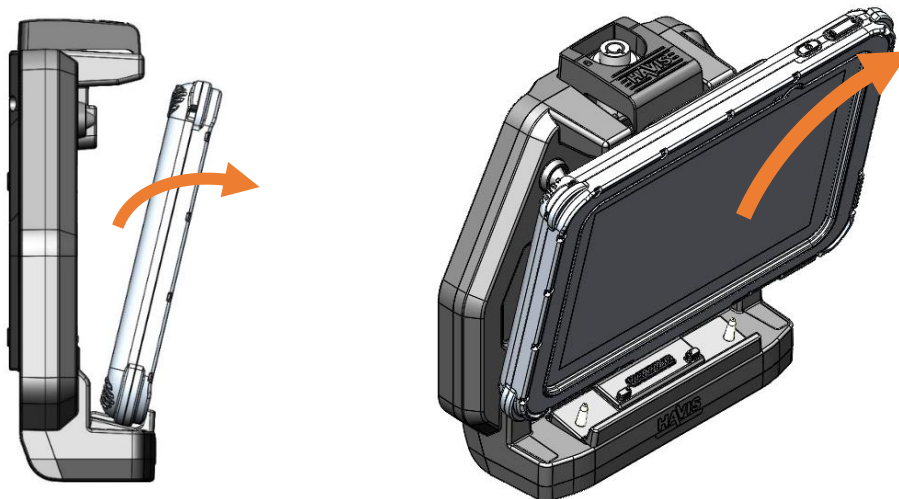
1) If previously locked, unlock the Docking Station using supplied key.



2) Secure tablet to avoid inadvertent ejection from Docking Station. Push down on the Lock button and release quickly taking care not to obstruct the travel of the Latch Hook. If the Latch Hook does not extend fully to its unlatched position, lift up lightly on the front of the Latch Hook to fully release.



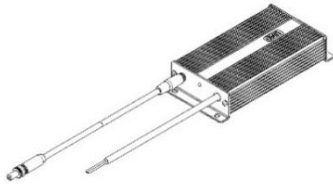
3) Once unlatched, rock the top forward and carefully lift out of Docking Station.





## Related Products

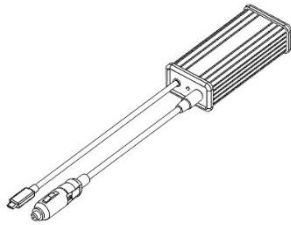
Havis offers a wide variety of accessory products specifically for use with your Docking Station. For more information or to order, please visit [www.havis.com](http://www.havis.com).



### LPS-174

#### **ISOLATED POWER SUPPLY, 9-32V DC FOR DS-ZEB-100 & DS-ZEB-200 SERIES**

Isolated power supply with 72" hardwired, bare-wire input cable, and 72" output cable with threaded Switchcraft connector.



### LPS-175

#### **60 W, USB-C, DC POWER ADAPTER FOR DS-ZEB-103 & DS-ZEB-203 CRADLE**

60 Watt power supply with 72" cigarette adapter input cable and hardwired 36" USB-C output cable.



### DS-DA-317

#### **Replacement Power Cable with Switchcraft Connector and Cigarette Adapter**

6' long power cable with threaded Switchcraft connector and cigarette adapter.



### DS-DA-336

#### **Replacement Power Cable with Switchcraft Connector and Bare-wire Leads**

6' long power cable with threaded Switchcraft connector, and bare-wire cables for hardwired installations.



### DS-DA-502

#### **Replacement Keys**

Set of two (2) replacement keys.



### LPS-167

#### **AC POWER SUPPLY WITH SWITCHCRAFT CONNECTOR**

100-240 VAC, 12V DC 60W Output with hardwired Switchcraft Connector, 761K.