



Owner's Manual

Havis Universal Tablet Cradle

Related Products

Havis offers a wide variety of accessory products for use with the UT-301 Universal Tablet Cradle. For more information or to order, please visit www.havis.com.



DS-DA-218 *Desktop Stand*

Durable stand for mounting the Universal Tablet Cradle in the home or office.



DS-DA-503 **Replacement Keys**

Set of two (2) replacement keys for the Universal Tablet Cradle.

UT-301



Havis, Inc.

75 Jacksonville Road
Warminster, PA 18974

www.havis.com 1-800-524-9900



www.havis.com
1-800-524-9900

Havis is pleased to provide this Owner’s Manual to aid in the proper installation and use of the UT-301 Universal Tablet Cradle.

For questions regarding the set-up of your UT-301 Universal Tablet Cradle, please contact Havis at 1-800-524-9900 or visit www.havis.com for additional product support and information.

This Owner’s Manual applies to the following Part Numbers:
UT-301

WARNING

- NEVER STOW OR MOUNT THE UT-301 DIRECTLY IN A VEHICLE AIRBAG DEPLOYMENT ZONE.
- DO NOT USE TABLET WHILE DRIVING.
- THIS UNIVERSAL TRAY (UT-301) HAS BEEN DESIGNED TO SECURELY MOUNT A WIDE ARRAY OF TABLETS WITH AND WITHOUT CASES. AS SUCH, THE ABILITY OF THIS UNIVERSAL TRAY (UT-301) TO RETAIN THE TABLET GIVEN A HIGH IMPULSE FORCE WILL BE DEPENDENT UPON THE END USER’S CHOSEN TABLET, TABLET CASE, AND THE FINAL ADJUSTMENT OF THE TRAY. END USERS ARE COMPLETELY RESPONSIBLE FOR EVALUATING THEIR VEHICLE TO ENSURE THAT THE VEHICLE AND EACH PART OF THAT VEHICLE IS APPROPRIATE FOR THE USE OF THIS UNIVERSAL TRAY COMPONENT. IT IS THE END USER’S SOLE RESPONSIBILITY TO ADD THE PARTS INSTALLED ON THEIR VEHICLE ALONG WITH ANY MODIFICATIONS NECESSARY FOR THE PROPER PERFORMANCE OF THE PRODUCT.
- THIS DISCLAIMER STATEMENT IS GOVERNED BY THE LAWS OF PENNSYLVANIA. YOU HEREBY CONSENT TO THE EXCLUSIVE JURISDICTION AND VENUE OF THE COURT OF COMMON PLEAS OF MONTGOMERY COUNTY, PENNSYLVANIA AND ALL DISPUTES ARISING OUT OF OR RELATING TO THE USE OF THIS PRODUCT. THE USE OF THIS PRODUCT IS UNAUTHORIZED IN ANY JURISDICTION THAT DOES NOT GIVE EFFECT TO ALL PROVISIONS OF THESE TERMS AND CONDITIONS.
- THE MANUFACTURER WILL NOT BE LIABLE FOR ANY DEFECTS CAUSED AFTER THE DELIVERY OF THE PRODUCTS TO THE PURCHASER OR FOR ANY VARIATION NOT CAUSED BY OR BEYOND THE CONTROL OF THE MANUFACTURER.

CAUTION

- READ ALL INSTRUCTIONS THOROUGHLY BEFORE BEGINNING INSTALLATION.
- THIS DEVICE WILL FIT A LARGE RANGE OF 7” & 8” TABLETS, WITH AND WITHOUT PROTECTIVE COVERS HOWEVER, IT MAY NOT FIT ALL AVAILABLE COVERS ON THE MARKET. REFER TO COMPATIBLE TABLET DIMENSIONS BELOW.
- HAVIS RECOMMENDS PROTECTING YOUR TABLET WITH A PROTECTIVE COVER.

Table of Contents

Specifications 3

Parts Included 3

Installation 4

Configuration 5

Operation - Docking 9

Operation - Undocking 10

Cable Management 11

Precautions

- Do not store the Universal Tablet Cradle where water, moisture, steam, dust, etc. are present
- Do not leave the Docking Station in a high temperature environment (greater than 85°C, 185°F) for a long period of time

- 1) It is recommended to strain relieve the tablet’s power cable, insert Zip Tie (Hardware Kit Item #2) into the Strain Relief Hole on the bottom of the UT-301. Loop and tighten Zip Tie around cable as required. Be sure to allow enough power cable length to reach the tablet’s power connector without stretching the power cable. Also be sure to disconnect power cable from tablet before removing tablet from the Universal Tablet Cradle.



Operation - Undocking

- 1) If previously locked, unlock Universal Tablet Cradle using supplied key.



- 2) While holding tablet with one hand, rotate Latch Handle counterclockwise.



- 3) Once unlatched grab the side of tablet, rock the top forward and carefully lift out of the Universal Tablet Cradle.

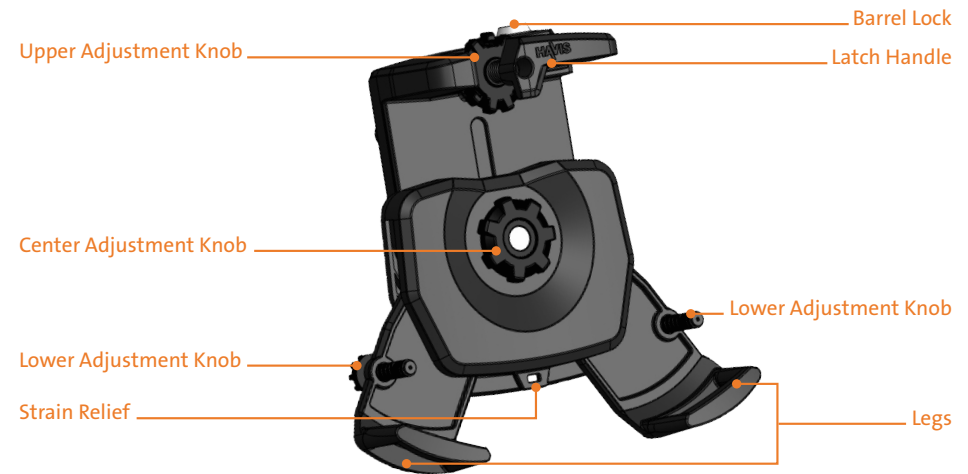


Specifications

Universal Tablet Cradle Dimensions	
Overall Maximum Dimensions	10.1" (26.7 cm) W x 7.8" (19.8 cm) H x 2.4" (6.1 cm) D
Weight	0.6 lbs (0.27 kg)
Compatible Tablet Dimensions	
Width	Between 7" (17.8 cm) and 9.25" (23.5 cm)
Height	Dependant on Tablet Width. Please see website.
Depth	0.79" (2.0 cm) Maximum Depth

Parts Included

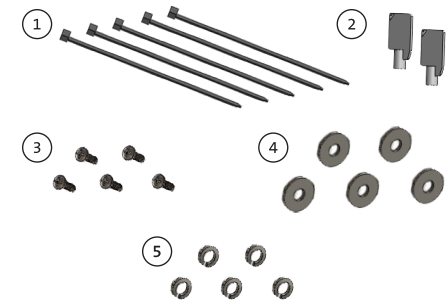
Universal Tablet Cradle



Hardware Kit (HWK-0042)

This Hardware Kit includes:

1. Zip Ties (5)
2. Keys (2)
3. M4 x 0.7 x 12mm long Pan Head Screws (5)
4. Washers, M4 (5)
5. Lock Washers, M4 (5)



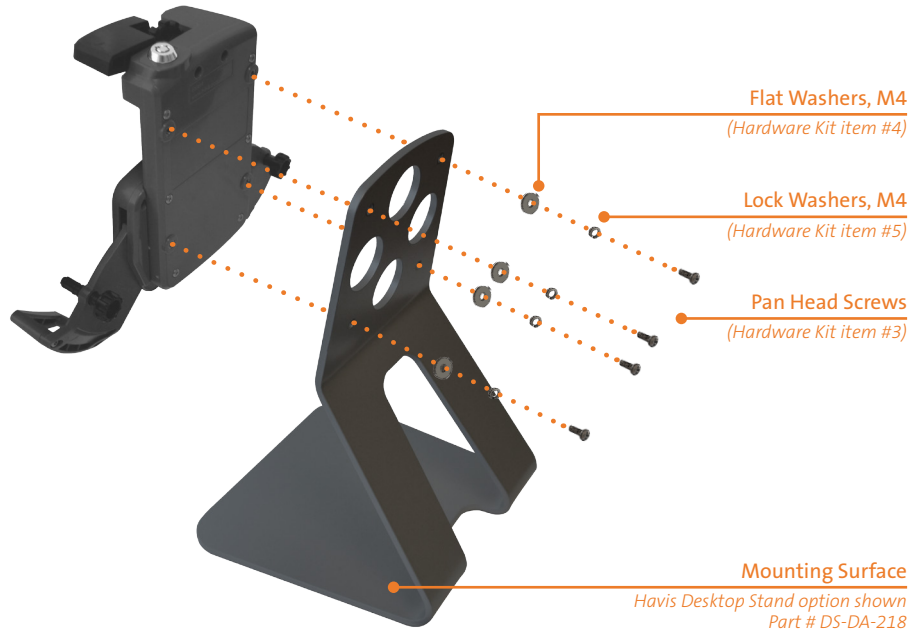
Tools required for installation:

- #2 Phillips
(For attaching Universal Tablet Cradle to mounting surface with Pan Head M4 x 0.7 Screws)

Installation

The Universal Tablet Cradle uses a VESA 75mm hole pattern for mounting. For additional technical support with mounting the UT-301 in your specific work environment, please contact Havis at 1-800-524-9900.

- 1) Align the four holes on the mounting surface with the four Mounting Holes on the back of the UT-301. Secure Universal Tablet Cradle to the mounting surface using four Pan Head Screws (Hardware Kit Item #3), four Flat Washers (Hardware Kit Item #4), and four Lock Washers, (Hardware Kit Item#5). Torque screws to 20 in-lbs (2.3 Nm) \pm 10%.



Operation -Docking (continued)

- 3) Pivot tablet so the top aligns with the Upper Depth Adjustment Knob at the top of the Universal Tablet Cradle. Rotate Latch Handle clockwise to secure tablet in place.



- 4) For theft deterrence, secure tablet by locking Universal Tablet Cradle with supplied key (Hardware Kit Item 2).



Configuration (continued)

- 10) With the tablet secured in the Docking Station, tighten the Upper Depth Adjustment Knob until the tablet is secure against the Latch Handle.
NOTE: During normal use, the Upper & Lower Adjustment Knobs may need to be re-tightened.



- 11) Your Universal Tablet Cradle is now configured for your tablet. No further adjustments are necessary unless you switch tablet models or change protective cases.



Operation - Docking

- 1) Ensure Universal Tablet Cradle is unlatched by rotating Latch Handle counterclockwise.



- 2) Hold tablet in landscape orientation, with bottom angled toward Universal Tablet Cradle. Lower tablet into the Legs of the Universal Tablet Cradle.



Configuration

- 1) Ensure the UT-301 Universal Tablet Cradle is unlatched by lifting the Latch Handle.



- 2) Loosen the Upper Adjustment Knob and both Lower Adjustment Knobs, taking care not to back the lower Adjustment Knobs all the way out.



- 3) Loosen the Center Adjustment Knob so the Legs and height can fully articulate.
NOTE: Do not loosen too much, having slight resistance will be helpful when configuring these features to your tablet.



Configuration (continued)

- 4) Place your tablet (landscape orientation) into the center of the Universal Tablet Cradle Legs. Adjust the Legs into a position such that the corners of tablet make contact with both sides of the Leg openings.



- 5) Once the Legs are positioned, push up on the bottom of the Legs until the top of the tablet touches the Latch Handle, ensuring the Leg position is not disturbed.



- 6) Carefully remove the tablet while ensuring the position of the Legs and the height of Universal Tablet Cradle is not disturbed. If the Universal Tablet Cradle moves out of position, slightly tighten the Center Adjustment Knob to create more resistance, and repeat Step 5.



Configuration (continued)

- 7) Tighten the Center Adjustment Knob by hand to secure the height and Leg positions.
NOTE: Do not overtighten or damage to your Universal Tablet Cradle may result.



- 8) Place the tablet back into the Universal Tablet Cradle, lower Latch Handle and double check that proper height and width has been set. The Tablet should touch the bottom of the Latch Handle and rest in the Legs. If either of these positions are not secure, remove tablet, slightly loosen the Center Adjustment Knob and reposition accordingly.



- 9) Tighten both of the Lower Depth Adjustment Knobs until the tablet is secure against the front of each Leg.
NOTE: During normal use, the Upper & Lower Adjustment Knobs may need to be occasionally re-tightened.

