

Owner's Manual

Havis Docking Station

For Getac A140 Rugged Tablet

DS-GTC-800 Series

DS-GTC-801	DS-GTC-803
DS-GTC-801-3	DS-GTC-803-3
DS-GTC-802	DS-GTC-806
DS-GTC-802-3	DS-GTC-806-3



Havis is pleased to provide this Owner's Manual to aid in the proper installation and use of the DS-GTC-800 Series Docking Station for the Getac A140 Rugged Tablet.

For questions regarding the set-up of your DS-GTC-800 Series Docking Station, please contact Havis at 1-800-524-9900 or visit www.havis.com for additional product support and information.

This Owner's Manual applies to the following Part Numbers:

DS-GTC-801	DS-GTC-802	DS-GTC-803	DS-GTC-806
DS-GTC-801-3	DS-GTC-802-3	DS-GTC-803-3	DS-GTC-806-3

WARNING

- NEVER STOW OR MOUNT THE DOCKING STATION DIRECTLY IN A VEHICLE AIRBAG DEPLOYMENT ZONE.
- DO NOT USE COMPUTER WHILE DRIVING.

CAUTION

- READ ALL INSTRUCTIONS THOROUGHLY BEFORE BEGINNING INSTALLATION.
- DO NOT STORE, INSTALL, OR OPERATE THE DOCKING STATION WHERE WATER, MOISTURE, STEAM, DUST, ETC. ARE PRESENT
- DO NOT DOCK OR UNDOCK YOUR COMPUTER UNLESS IT IS POWERED OFF. DOCKING OR UNDOCKING WITH YOUR COMPUTER IN ON, STANDBY, HIBERNATION, OR SLEEP MODES CAN CAUSE PERMANENT DAMAGE.
- FOR THE DS-GTC-801, DS-GTC-801-3, DS-GTC-802 & DS-GTC-802-3 DOCKING STATIONS: DO NOT CONNECT DIRECTLY TO VEHICLE VOLTAGE SOURCE: This product requires a certified, automotive grade, Getac approved 120W power source rated for a continuous, regulated 19VDC output (*Havis Part Number LPS-140 or equivalent*). Failure to comply with this requirement will cause product damage that is NOT repairable and is NOT covered under warranty.
- FOR THE DS-GTC-803, DS-GTC-803-3, DS-GTC-806 & DS-GTC-806-3 DOCKING STATION: DO NOT CONNECT DIRECTLY TO VEHICLE VOLTAGE SOURCE: The Getac A140 tablet requires a certified, Getac approved power source rated for a continuous, regulated 19VDC output. Failure to comply with this requirement will cause product damage that is NOT repairable and is NOT covered under warranty.

NOTICE

- FOR DOCKING STATION MODELS EQUIPPED WITH A BUNDLED POWER SUPPLY (DS-GTC-802/802-3, DS-GTC-806/806-3), REFER TO THE SUPPLIED GETAC POWER SUPPLY REFERENCE GUIDE.
- WHEN TABLET IS DOCKED, THE BATTERY WILL ONLY CHARGE BETWEEN 0°C to 60°C (32°F to 140°F). PLEASE REFER TO GETAC A140 OWNER'S MANUAL FOR MORE INFORMATION.

Table of Contents

Specifications	3
Parts Included	4
Port Replication Capability	5
Antenna Identification	5
Installation & Cable Management.....	6
Operation - Docking	8
Operation - Undocking.....	10

Precautions

- Do not place metal objects or containers of liquid on top of the Docking Station
- If a malfunction occurs, immediately unplug the Power Supply and remove the tablet
- Use only the specified Power Supply (*Part # LPS-140*) with this Tablet
- Do not connect cables into ports other than what they are specified for
- Do not leave the Docking Station in a high temperature environment (greater than 71°C, 160°F) for a long period of time

Specifications

Power Supply Input	19 V DC-In
Dimensions	11.5" (29.2 cm) H x 12.2" (31.0 cm) W x 3.2" (8.1 cm) D
Weight	5.6 lbs (2.5 kg)
Operating Environment	-21° C to 60° C (-6° F to 140°F)
Storage Environment	-51° C to 71° C (-60° F to 160° F)

EC DECLARATION OF CONFORMITY

Manufacturers Name: Havis, Inc.

Manufacturers Address: 75 Jacksonville Road, Warminster, PA 18974 USA

This declaration of conformity is issued under the sole responsibility of the manufacturer.

Product name: Tablet Docking Station

Model: DS-GTC-80X, where 'x' may be any alphanumeric character and which describes product options.

(Object of Declaration) May be followed by any alphanumeric characters which describe product options.

Product Options: This declaration covers all options of the above product which bear the CE Marking.

Is in conformity with the following directives, standards, or other normative documents:

EMC Directive 2014/30/EU EN 55022::2010/AC:2011

EN 55024:2010

RoHS Directive 2011/65/EU EN 50581:2012

The object of the declaration described above is in conformity with Directive 2011/65/EU of the European Parliament and of the Council of 8 June 2011 on the restriction of the use of certain hazardous substances in electrical and electronic equipment.

Supplementary Information:

The object of the declaration described above is in conformity with the relevant Union harmonisation legislation.

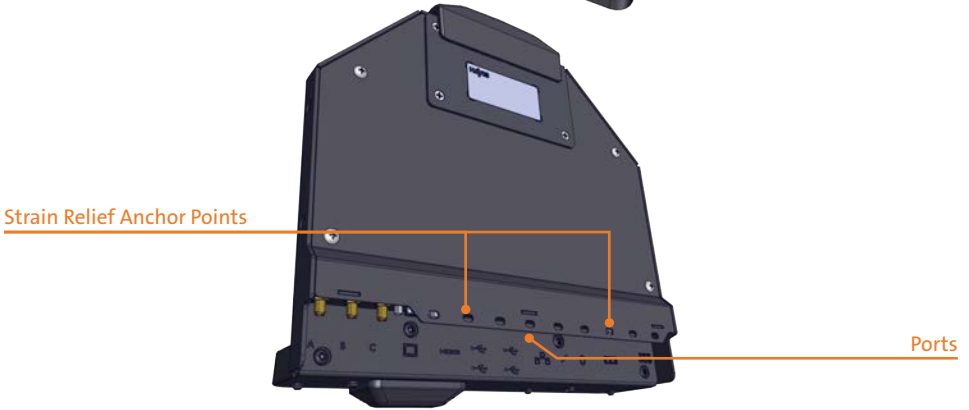
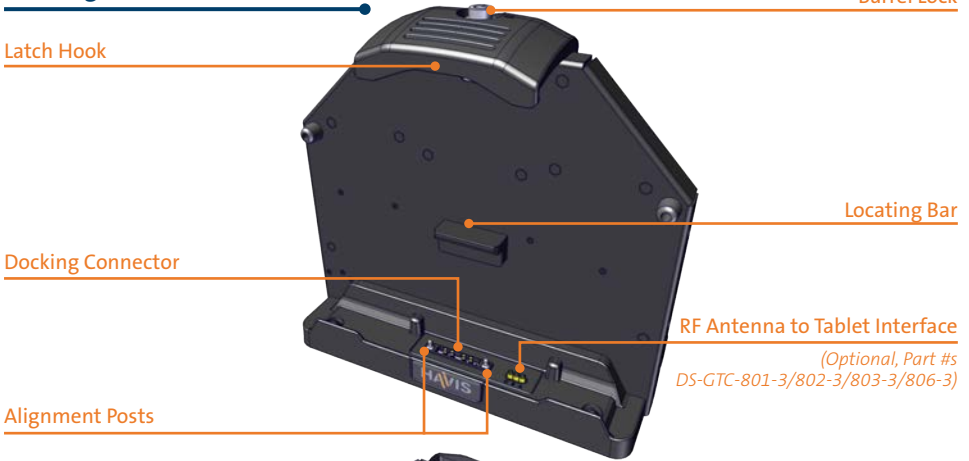
Signed for and on behalf of Havis, Inc.:

Warminster, PA, USA July 10, 2017 Bruce Jonik, Director of Engineering, Havis, Inc.

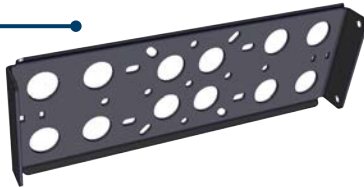
FCC 47CFR, Part 15 compliance: This is an FCC Class B device. Any changes or modifications to the model DS-GTC-80X not expressly approved by Havis, Inc. could void the user's authority to operate this equipment.

Parts Included

Docking Station



Mounting Bracket



Hardware Kit

This Hardware Kit includes:

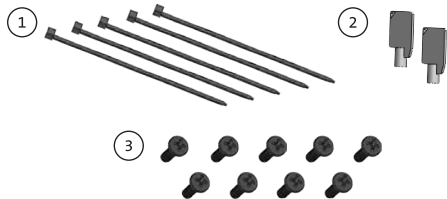
1. Zip Ties (5)
2. Keys (2)
3. 1/4" - 20 x 5/8" long Button Head Screws (9)

Extra hardware provided

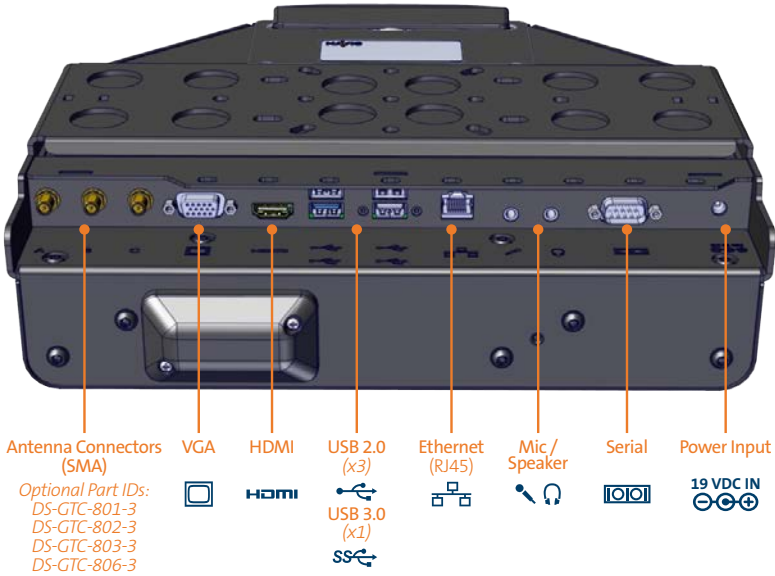
Tools required for installation:

5/8" Hex Drive

(For attaching Docking Station to VESA 75mm hole pattern)



Port Replication Capability



Antenna Identification (DS-GTC-801-3, DS-GTC-802-3, DS-GTC-803-3, DS-GTC-806-3)

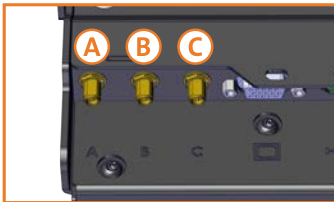
In reference to the GETAC A140 Antenna connections

(A) - 4G

(B) - WiFi

(C) - GPS

Antenna Connectors (SMA)



Tablet Interface

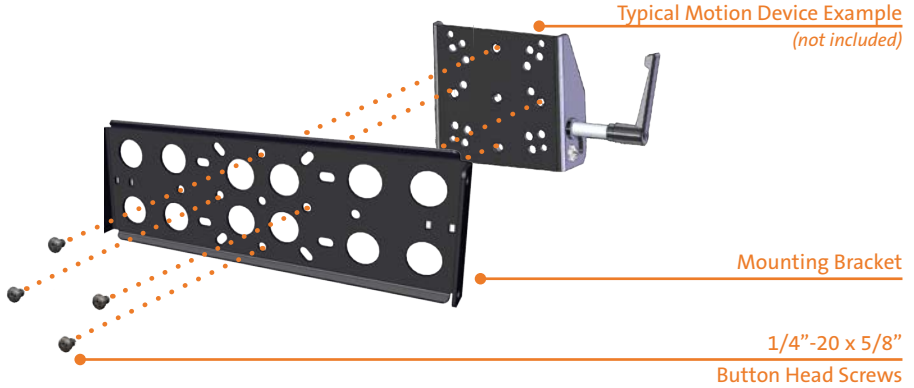


Installation & Cable Management

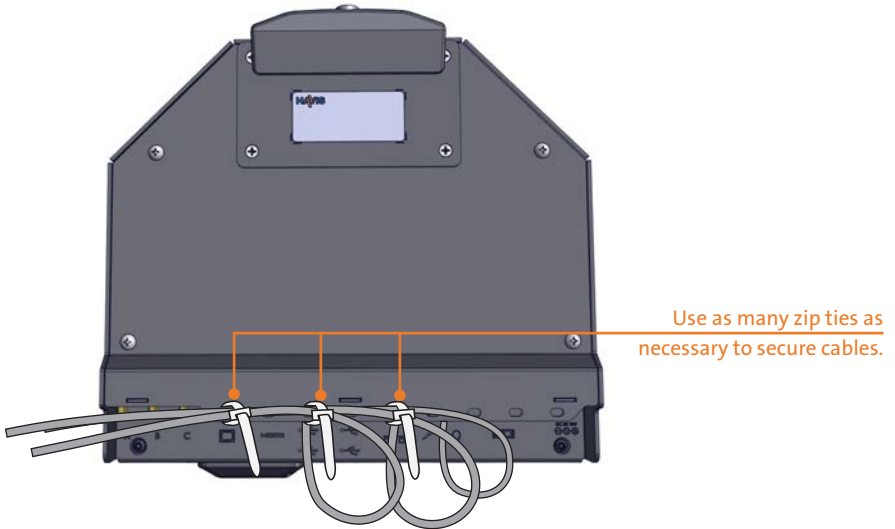
NOTE: We recommend applying a drop of medium strength (blue) thread locking adhesive to the threads of all fasteners.

- 1) Remove the Mounting Bracket from the packaging. Install the Mounting Bracket to the Motion Device using (4) 1/4"-20 x 5/8" long button head screws (Hardware Kit Item 3). Torque screws to 80 in-lbs (9.0Nm) ± 10%.

NOTE: Numerous hole patterns present in Mounting Bracket will accommodate Havis Motion Devices as well as most competitors'

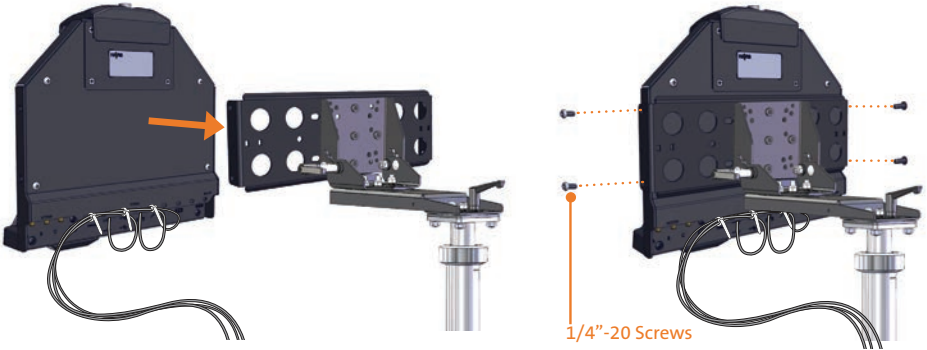


- 2) Install all cables that are necessary for computing needs. Use Zip Ties (Hardware Kit Item 1) to strain relieve cables to the Strain Relief Points, routing all cables together to the front of the Docking Station.



Installation & Cable Management (*continued*)

- 3) Align the Docking Station with the Mounting Bracket as shown and secure with (4) 1/4"-20 x 5/8" long screws (Hardware Kit Item 3). Torque screws to 80 in-lbs (9.0 Nm) \pm 10%.



- 4) Create a service loop with the cable bundle to ensure that no tension is on the connectors and to enable intended motion.
- 5) Tie off cables onto a stationary part of the mounting system.
(*Mounting system not included with Docking Station*)

Shown with optional
Power Supply (*LPS-140*) and
Mounting Bracket (*LSP-209*)

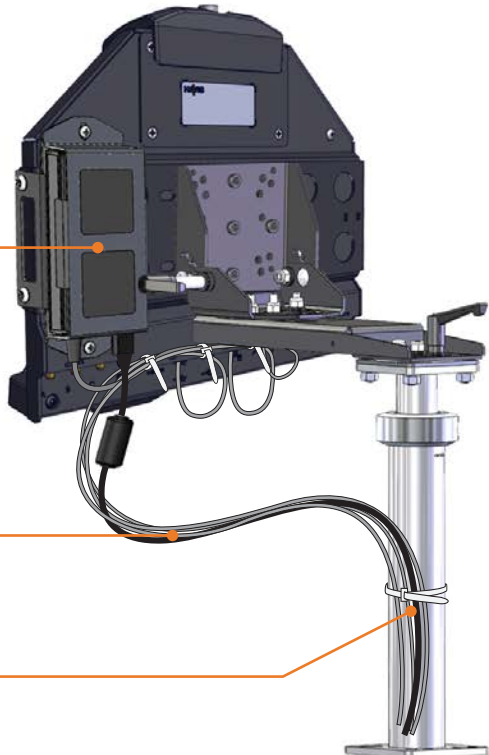
4

This loop must be large enough to allow full range of expected rotation and extension without stressing connections.

5

Collect cables to secure to the mounting system

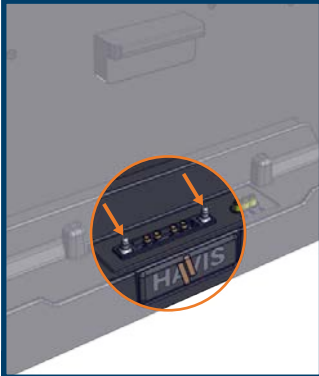
(*Note: mounting system not included*)



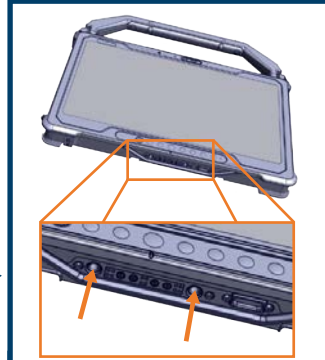
CAUTION

DO NOT FORCE TABLET ONTO DOCKING STATION. IF THERE IS RESISTANCE, CHECK ALIGNMENT OF TABLET ON DOCKING STATION.

NOTE: Ensure a proper connection by aligning the tablet's Alignment Sockets with the Docking Station's Alignment Posts



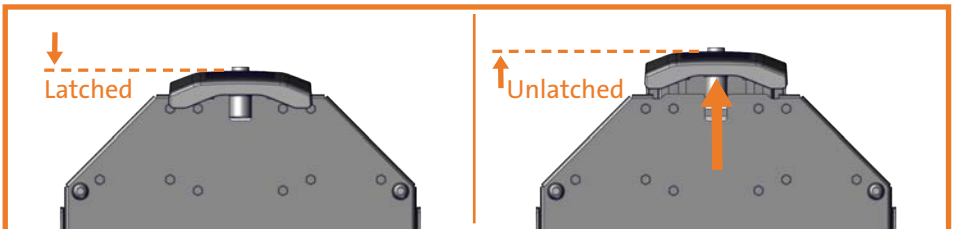
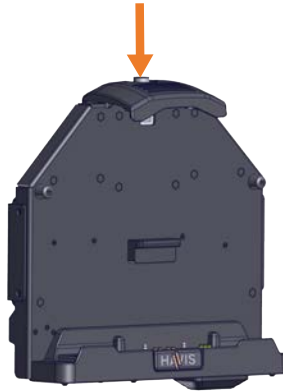
Alignment Posts
DS-GTC-800 Series Docking Station



Alignment Sockets
Bottom of Getac A140 Rugged Tablet



- 1) Docking Station must be unlatched before docking your tablet. Push down on the Barrel Lock button and release slowly. Without a tablet present you may have to lift up lightly on the front of the Latch Hook to fully release.



Operation - Docking

- 2) Hold tablet in landscape orientation, with bottom mounted docking connector angled toward Docking Station. Lower tablet into the bottom of the Docking Station.



- 3) While pivoting the tablet, apply downward pressure to align with the Docking Station's Locator Bar. Depress the Latch Handle to secure tablet in place. You will hear an audible click when Latch Hook is fully engaged.



- 4) For theft deterrence, secure tablet by locking Docking Station with supplied key (Hardware Kit Item 2).



Operation - Undocking

- 1) If previously locked, unlock Docking Station using supplied key.



- 2) Secure tablet to avoid inadvertent ejection from Docking Station. Push down on the Barrel Lock button and release quickly taking care not to obstruct the travel of the Latch Hook. If the Latch Hook does not extend fully to its unlatched position, lift up lightly on the front of the Latch Hook to fully release.



- 3) Once unlatched grab both sides of tablet, rock the top forward and carefully lift out of Docking Station, top end first.



Related Products

Havis offers a wide variety of accessory products specifically for use with the DS-GTC-800 Series Docking Station. For more information or to order, please visit www.havis.com.



LPS-140

120W Power Supply

External in-vehicle power supply and cable for Getac A140 Rugged Tablet with cigarette lighter adaptor.



LPS-211

Multipurpose Mounting Bracket

Mount a Power Supply or USB Hub directly to your Docking Station with this versatile bracket.



LPS-208

Power Supply Mounting Bracket

Mount the LPS-140 Power Supply directly to your Docking Station.



DS-DA-235

Front Facing USB Bracket and Cable

Provide front facing USB connectivity for DS-GTC-800 Series Docking Stations with this bracket and cable.



DS-DA-218

Desktop Stand for Tablet Docking Stations

Durable stand for mounting tablet Docking Stations for use in the home or office.



DS-DA-502

Replacement Keys

Set of two (2) replacement keys for DS-GTC-800 Series Docking Stations.



DS-DA-801

Screen Blanking Solution

Powered by Blank-it, USB dongle manages In-vehicle computer displays and prevents driver distraction.



Havis, Inc.
75 Jacksonville Road
Warminster, PA 18974

www.havis.com 1-800-524-9900