

Owner's Manual Havis Docking Station For GETAC F110 Tablet

DS-GTC-220 Series

DS-GTC-221

DS-GTC-222

DS-GTC-223

DS-GTC-221-3

DS-GTC-222-3

DS-GTC-223-2



DS-GTC-220-SERIES_OMN_1-22

Before Beginning

Havis is pleased to provide this Owner's Manual to aid in the proper installation and use of the DS-GTC-220 Series Docking Station for the GETAC F110 Tablet.

For questions regarding the set-up of your DS-GTC-220 Series Docking Station, please contact Havis at 1-800-524-9900 or visit www.havis.com for additional product support and information.

This Owner's Manual applies to the following Part Numbers:

DS-GTC-221
DS-GTC-221-3

DS-GTC-222
DS-GTC-222-3

DS-GTC-223
DS-GTC-223-3

⚠️ WARNING

- NEVER STOW OR MOUNT THE DOCKING STATION DIRECTLY IN A VEHICLE AIRBAG DEPLOYMENT ZONE.
- DO NOT USE THE COMPUTER WHILE DRIVING.

⚠️ CAUTION

- READ ALL INSTRUCTIONS THOROUGHLY BEFORE BEGINNING INSTALLATION.
- DO NOT STORE, INSTALL, OR OPERATE THE DOCKING STATION WHERE WATER, MOISTURE, STEAM, DUST, ETC. ARE PRESENT
- DO NOT DOCK OR UNDOCK YOUR COMPUTER UNLESS IT IS POWERED OFF. DOCKING OR UNDOCKING WITH YOUR COMPUTER IN ON, STANDBY, HIBERNATION, OR SLEEP MODES CAN CAUSE PERMANENT DAMAGE.
- FOR THE DS-GTC-221, DS-GTC-221-3, DS-GTC-222 and DS-GTC-222-3 DOCKING STATIONS: DO NOT CONNECT DIRECTLY TO VEHICLE VOLTAGE SOURCE: This product requires a certified, automotive grade, Getac approved 95W power source rated for a continuous, regulated 19VDC output (Havis Part Number LPS-140 or equivalent). Failure to comply with this requirement will cause product damage that is NOT repairable and is NOT covered under warranty.
- FOR THE DS-GTC-223 & DS-GTC-223-3 DOCKING STATION: DO NOT CONNECT DIRECTLY TO VEHICLE VOLTAGE SOURCE: The Getac F110 tablet requires a certified, Getac approved power source rated for a continuous, regulated 19VDC output. Getac recommends using the power adapter included with the tablet; failure to comply with this requirement will cause product damage that is NOT repairable and is NOT covered under warranty.

NOTICE

- FOR DOCKING STATION MODELS EQUIPPED WITH A BUNDLED POWER SUPPLY (DS-GTC-222, DS-GTC-222-3) REFER TO THE SUPPLIED GETAC POWER SUPPLY REFERENCE GUIDE.
- **WHEN TABLET IS DOCKED, THE BATTERY WILL ONLY CHARGE BETWEEN 2°C AND 50°C (35°F TO 122°F) PLEASE REFER TO THE GETAC F110 TABLET OWNER'S MANUAL FOR MORE INFORMATION.**

Precautions

- Do not place metal objects or containers of liquid on top of the Docking Station
- If a malfunction occurs, immediately unplug the Power Supply and remove the tablet
- Use only the specified Power Supply (Part # LPS-140) with this Docking Station
- Do not connect cables into ports other than what they are specified for
- Do not leave the Docking Station in a high temperature environment (greater than 85°C, 185°F) for a long period of time

Specifications

Power Supply Input	19.0V DC-In
Dimensions	10.3" (26.1 cm) H x 13" (33 cm) W x 3.2" (81 cm) D
Weight	2.75 lbs. (1.27 kg)
Operating Environment	-10° C to 50° C (14° F to 122° F)
Storage Environment	-40° C to 85° C (-4° F to 140° F)

EC DECLARATION OF CONFORMITY in accordance with EN 50498

Manufacturers Name: Havis, Inc.

Manufacturers Address: 75 Jacksonville Road, Warminster, PA 18974 USA

Declares under our sole responsibility that the product:

Product name: Havis Docking Station For Getac F110 Fully Rugged Table

Model: DS-GTC-22X, where 'X' may be any alphanumeric character and which describes product options.
May be followed by any alphanumeric characters which describe product options.

Product Options: This declaration covers all options of the above product which bear the CE Marking.

Is in conformity with the following standards or other normative documents:

Automotive EMC Directive EN 50498:2010, Electromagnetic compatibility (EMC) -
2004/108/EC: Product family standard for aftermarket electronic equipment in vehicles
Directive 2011/65/EU Restriction of the use of certain hazardous substances (RoHS)

Supplementary Information:

The product herewith complies with the requirements of the Automotive EMC Directive 2004/108/EC, Annex I, 6.5, 6.6, 6.8, and 6.9. This product requires the use of a recommended e-Marked automotive power supply when used within vehicles.

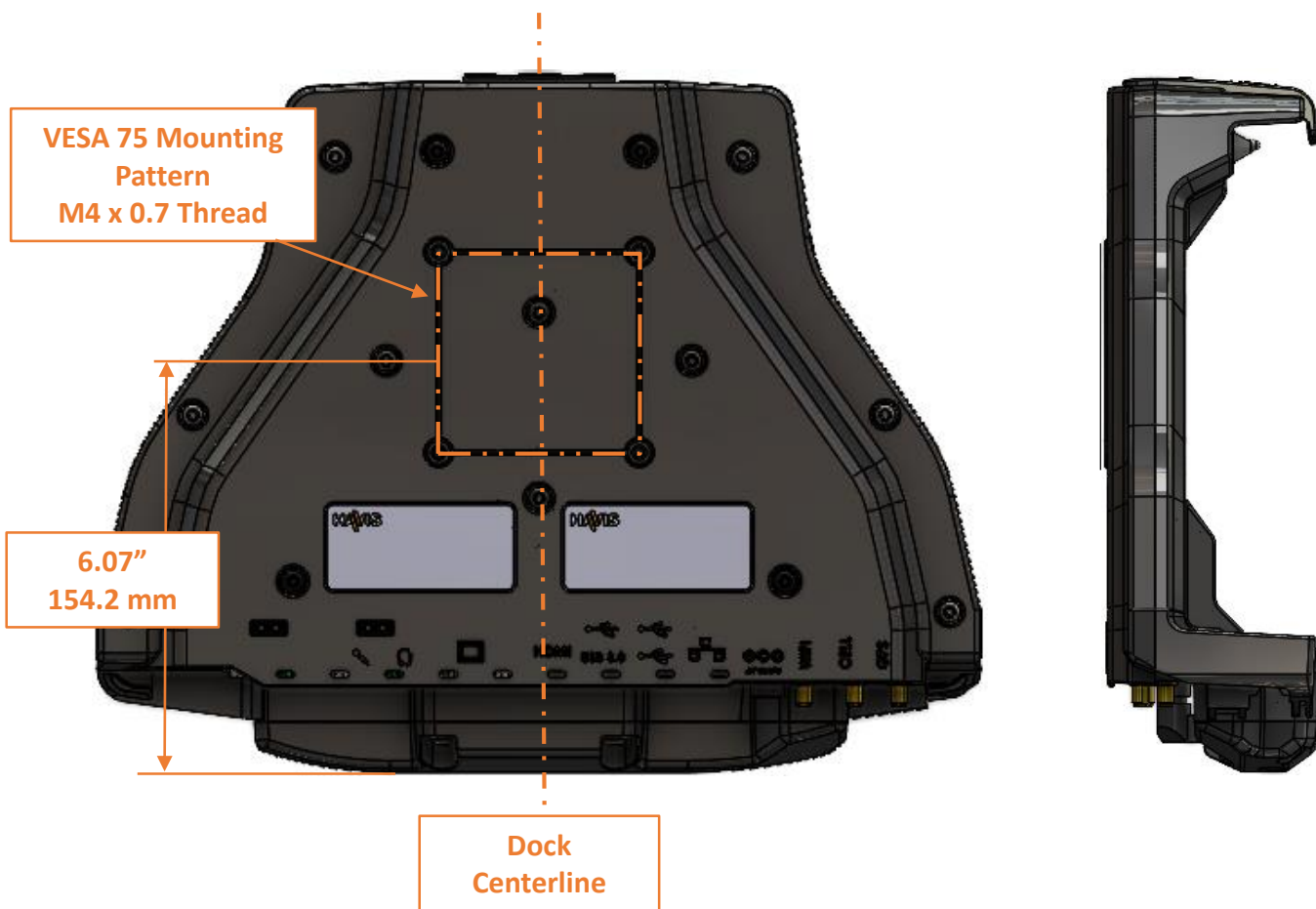
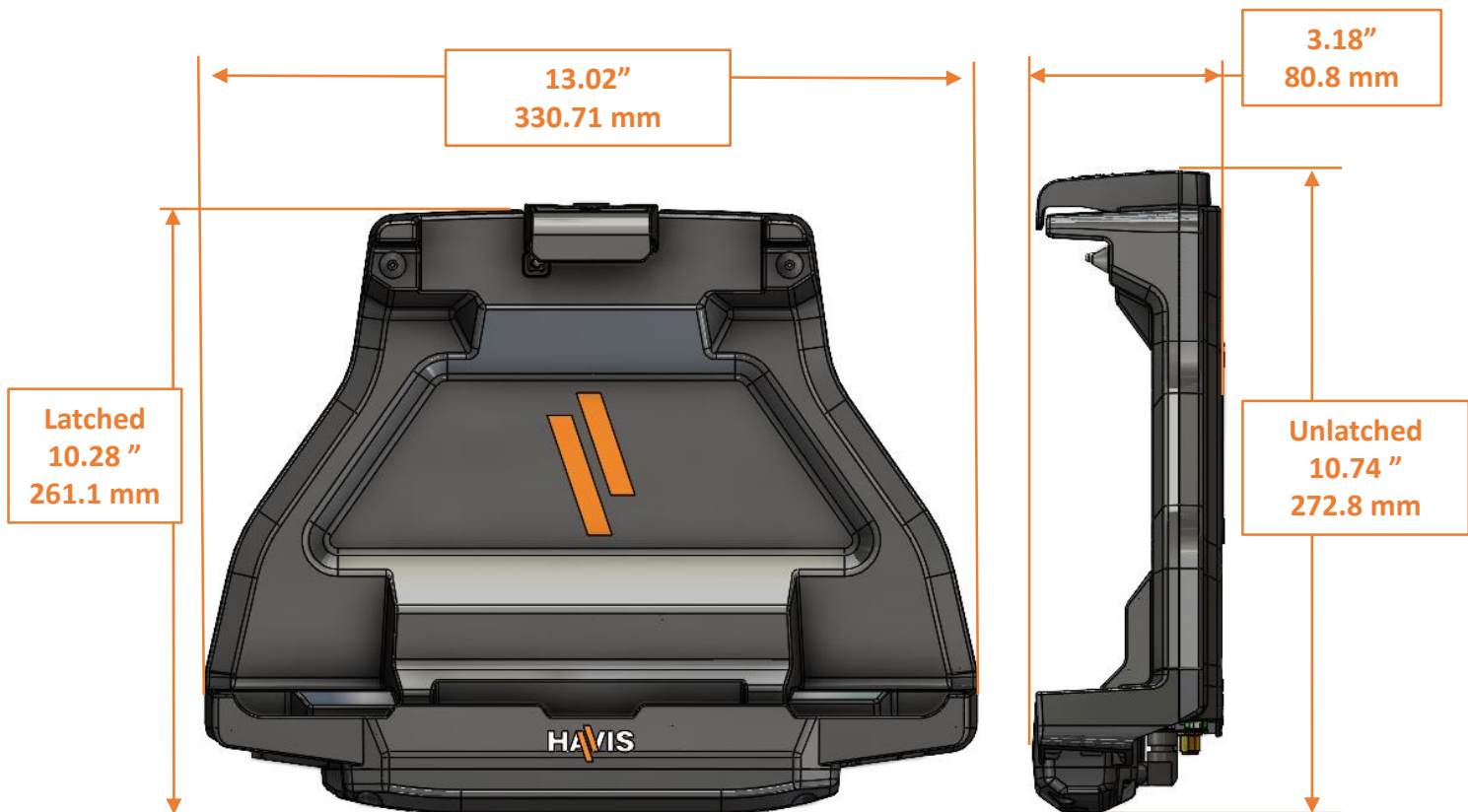
Warminster, PA, USA

June 4, 2021

Bruce Jonik, Director of Engineering , Havis, Inc.

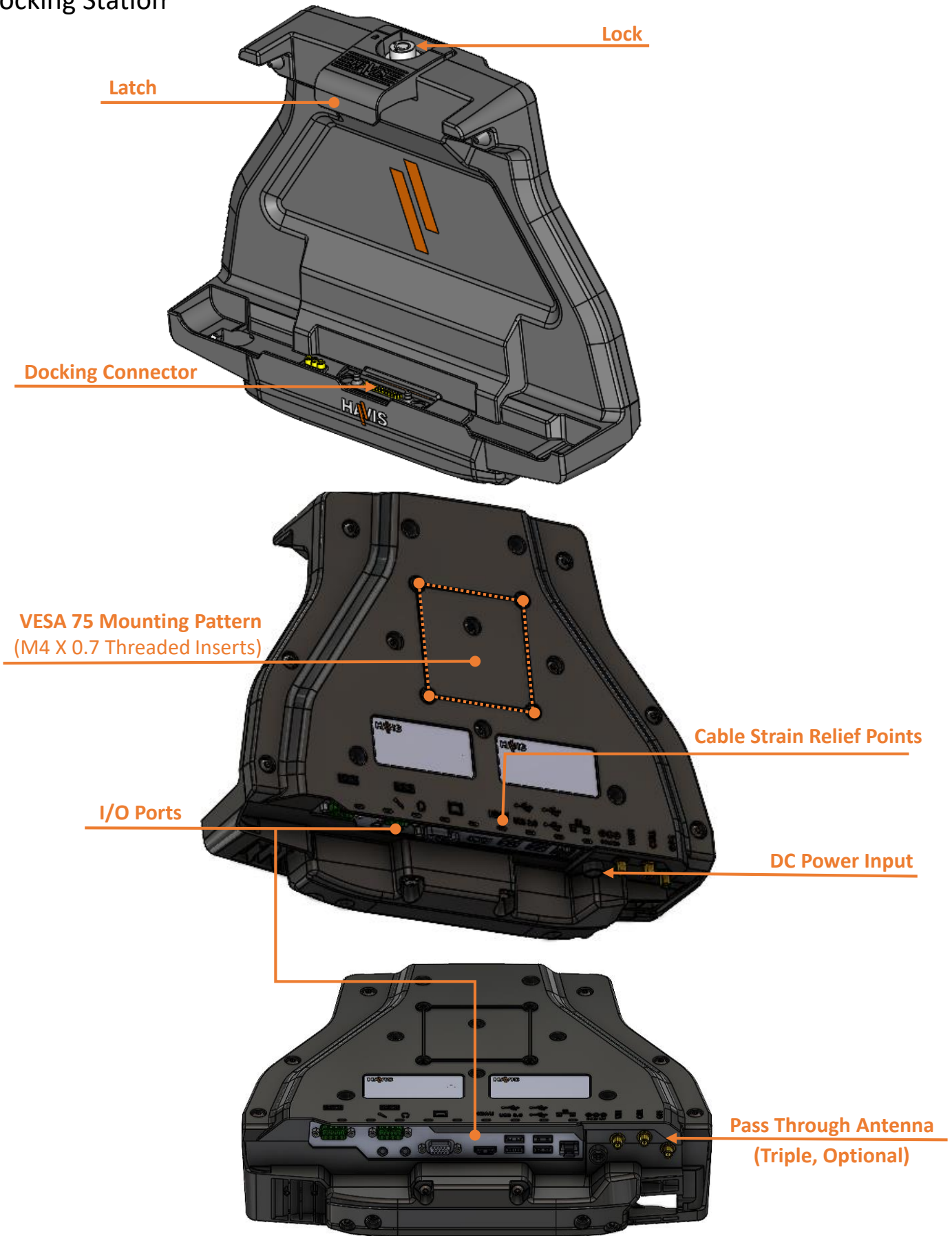
FCC 47CFR, Part 15 compliance: This is an FCC Class B device. Any changes or modifications to the model DS-GTC-22X not expressly approved by Havis, Inc. could void the user's authority to operate this equipment.

Specifications (continued)



Parts Included

Docking Station



Parts Included (continued)

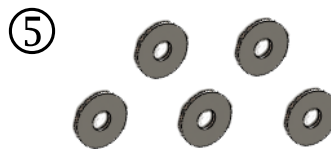
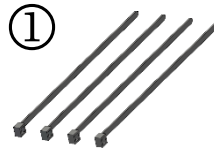
Hardware Kit (HWK-0031)

This Hardware Kit includes:

1. Zip Ties (4)
2. Keys (2)
3. M4 x 0.7 x 20mm long Pan Head Screws (5)
4. Split Lock Washers (5)
5. Washers, M4 (5)

Tools required for installation:

- #2 Phillips (For M4 Pan Head Screws)



Antenna Identification

DS-GTC-221-3, DS-GTC-222-3, DS-GTC-223-3

Antenna Connectors (SMA)



Tablet Interface



WIFI

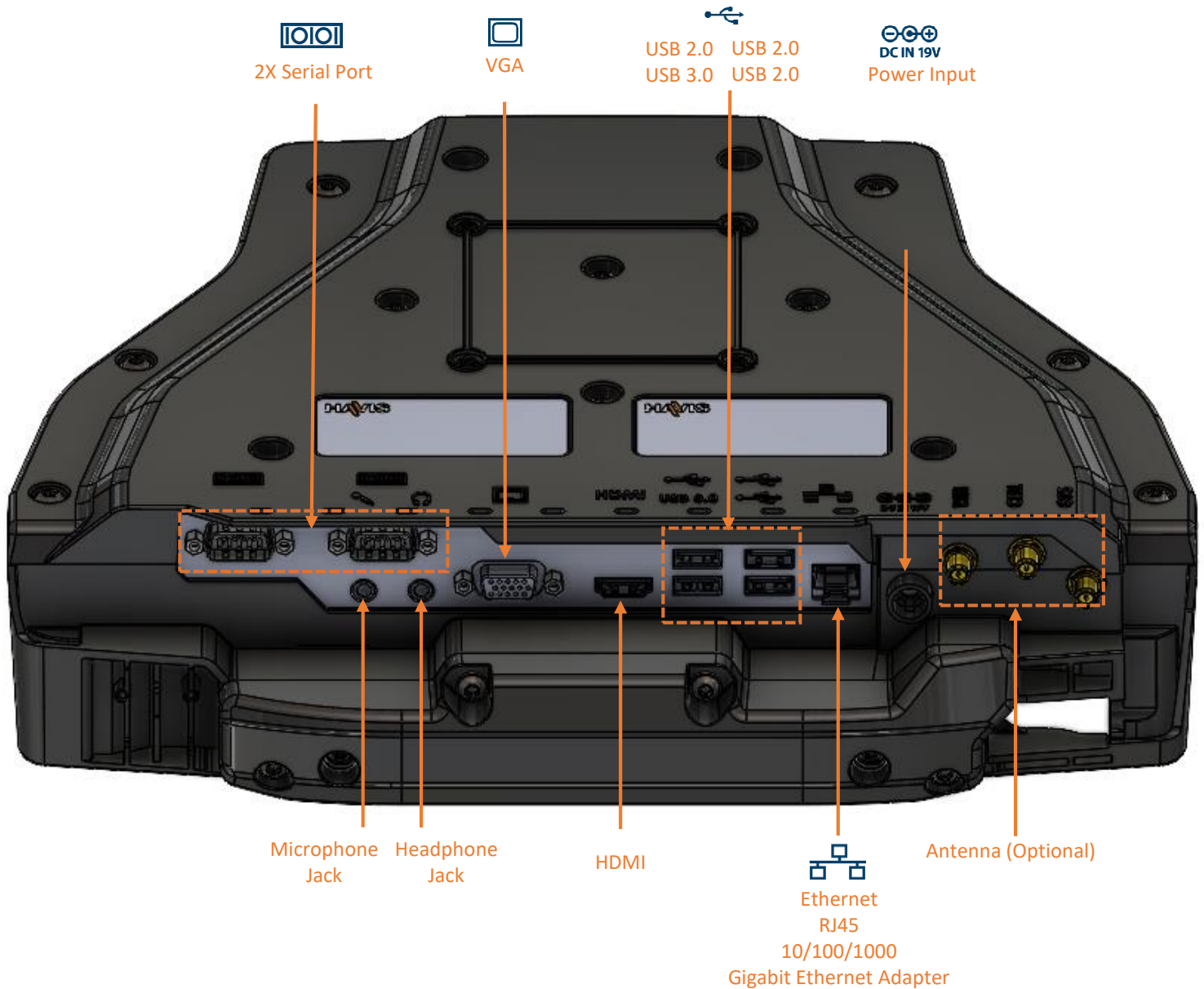
CELLULAR

GPS

Port Replication Capability

Rearward Facing Ports

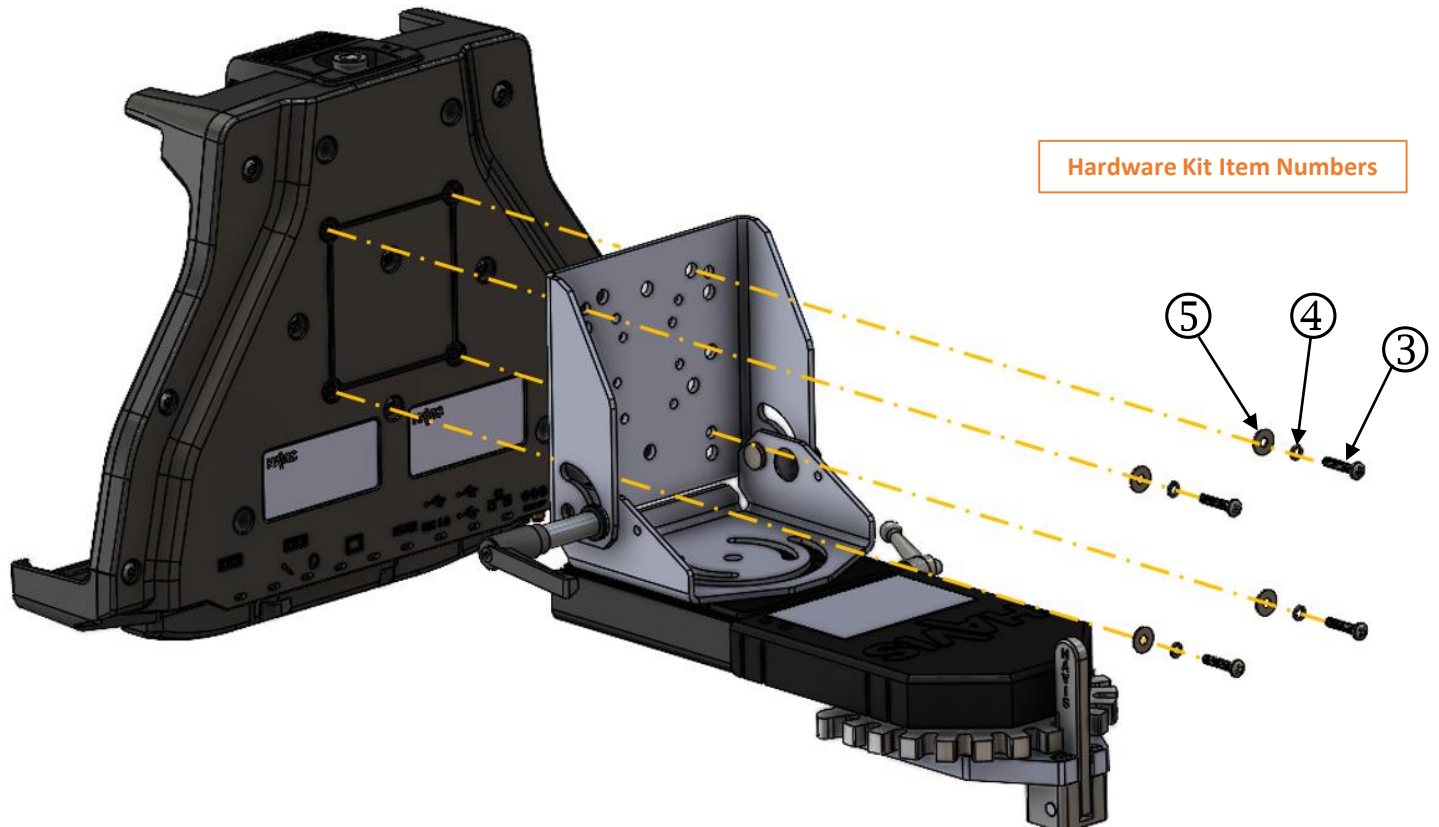
DS-GTC-221, DS-GTC-221-3, DS-GTC-222 and DS-GTC-222-3



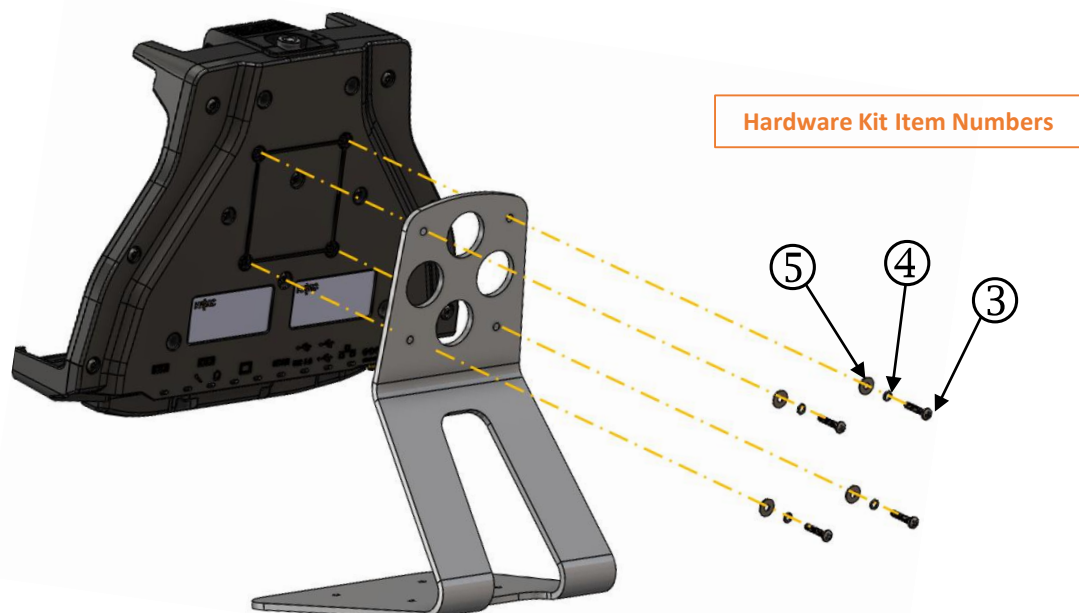
Installation

1. Align Docking Station mounting holes with the hole pattern on mounting device. Using the four (4) M4 0.7x20mm Pan Head Screws (Hardware Kit Item 3), four (4) Lock Washers, M4 (Hardware Kit Item 4), and four (4) Washers, M4 (Hardware Kit Item 5), secure the Docking Station to device. Torque screws to 20 in-lbs. (2.3 Nm) $\pm 10\%$

A) In-Vehicle mounting system installation (HAVIS Motion Device not included)

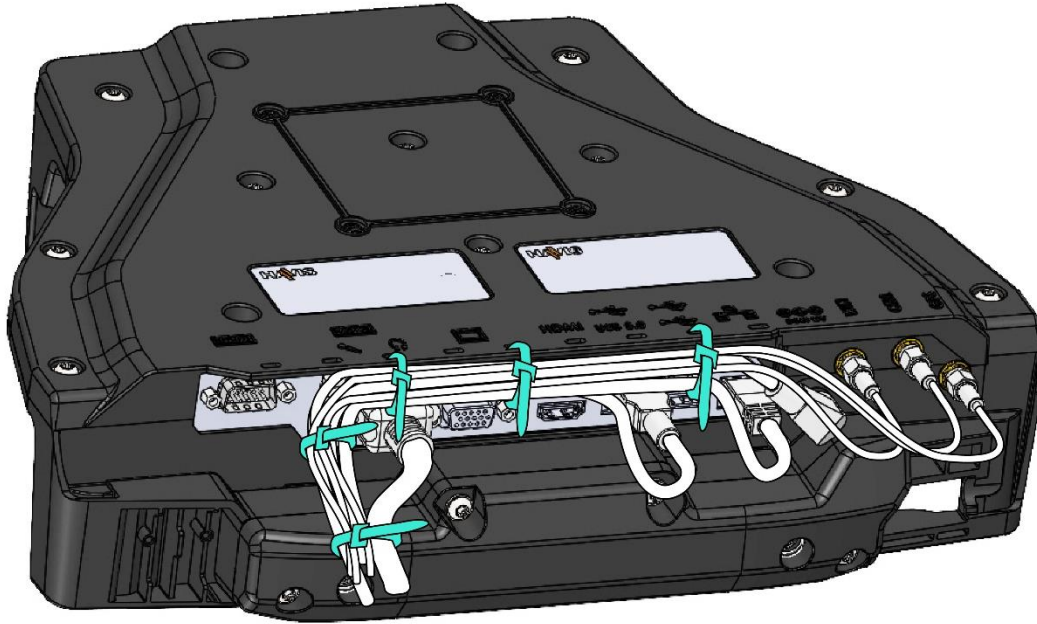


B) HAVIS Desktop Stand installation (Sold separately, Part ID: DS-DA-218)

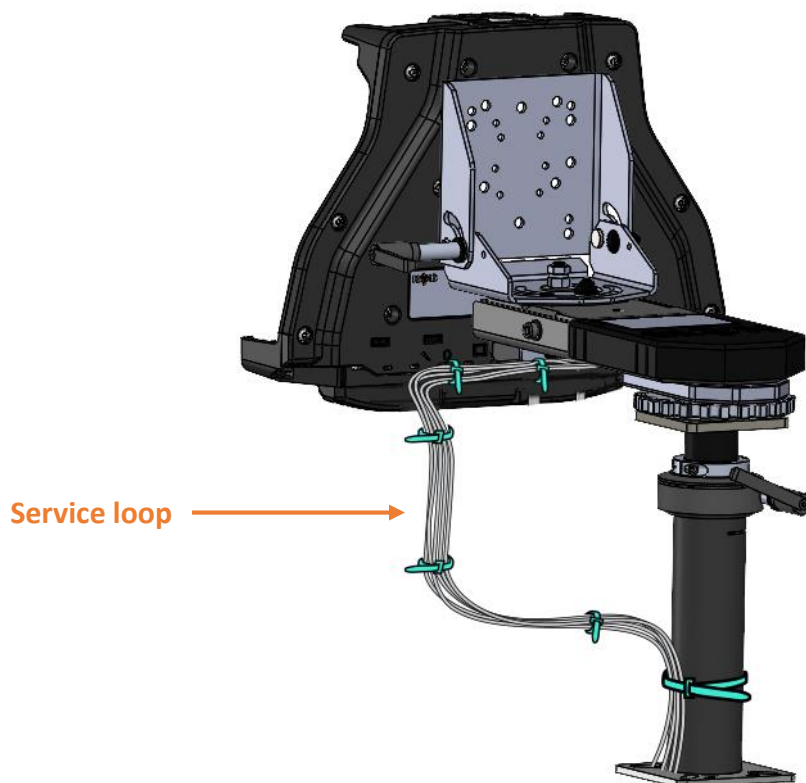


Cable Management

- 1) Tip the Docking Station to a position that is comfortable to work with.
- 2) Install all cables that are necessary for computing needs.
- 3) Use Zip Ties (Hardware Kit Item 1) and the Strain Relief Points to secure cables and reduce risk of accidental disconnects.



- 4) Create a service loop with cables to ensure that no tension is on the connectors and to enable intended motion
- 5) Tie off cables onto a stationary part of the mounting system



Operation - Docking

1. Docking Station must be unlatched before docking your tablet. Push down on the Barrel Lock button and release quickly taking care not to obstruct the travel of the Latch Hook.



LATCHED

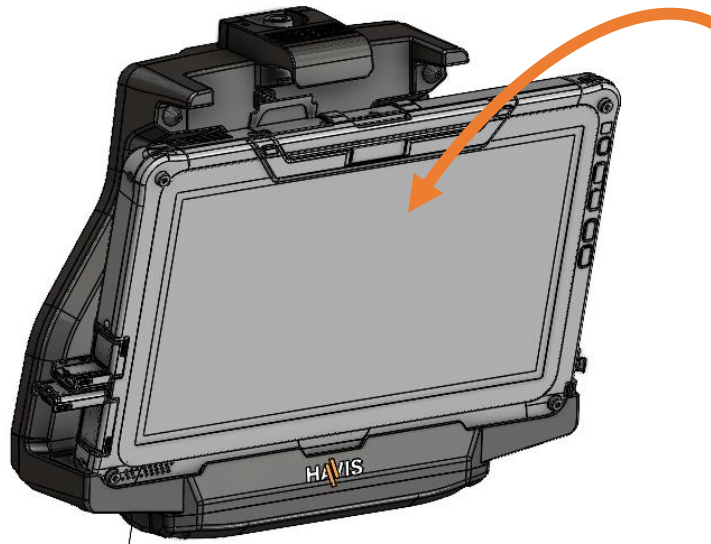


UNLATCHED

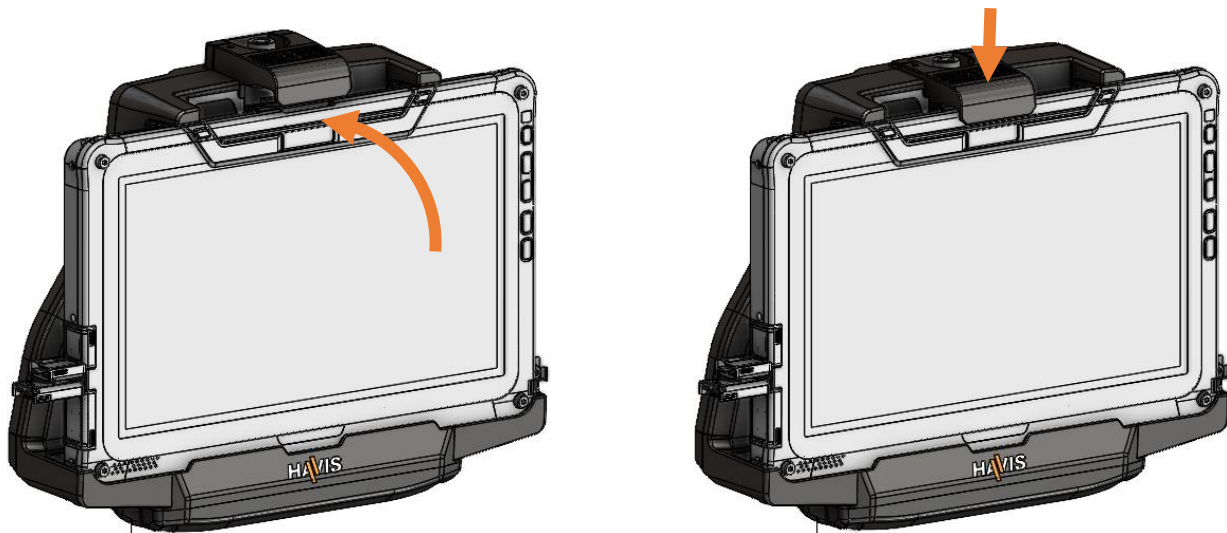


Operation - Docking

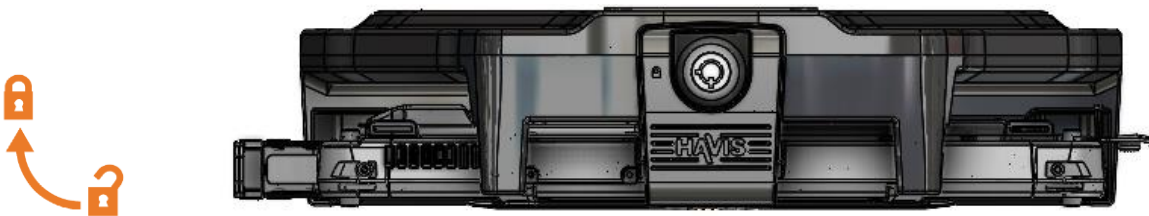
2. Hold tablet in the landscape orientation, with the bottom of the tablet angled toward the Docking Station. Lower the tablet into the bottom of the Docking Station.



3. Pivot tablet so it sits flush in the Docking Station and hold while depressing the Latch Handle to secure the tablet in place. You will experience an audible “click” when the Latch Hook is fully engaged.

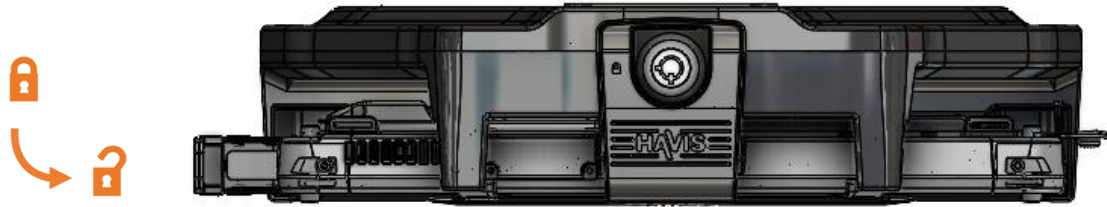


4. For theft deterrence, secure tablet by locking Docking Station with supplied key (Hardware Kit Item 2)

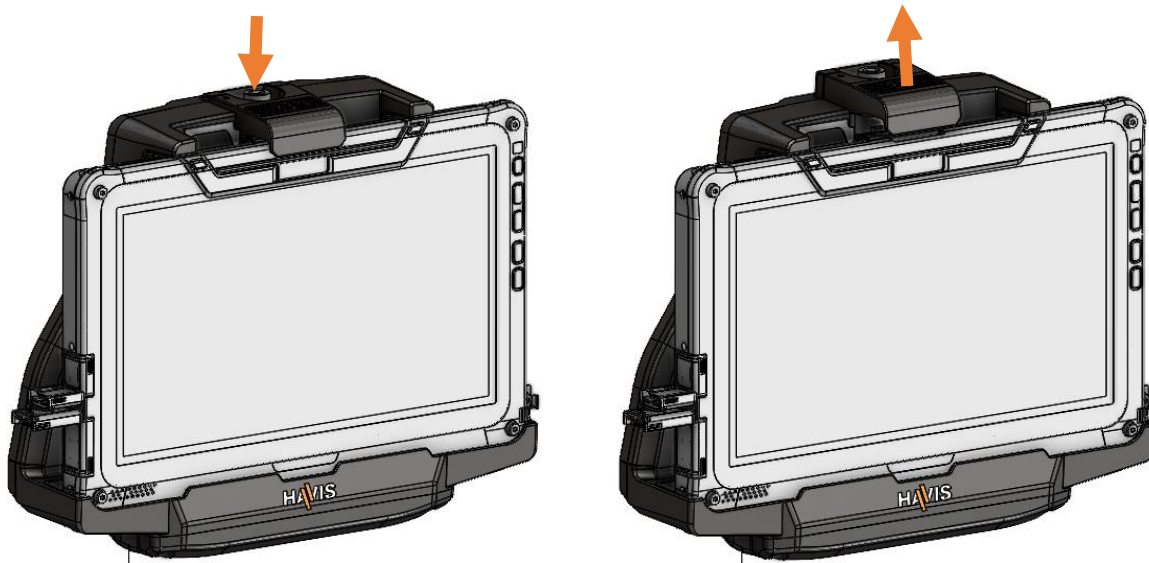


Operation - Undocking

1. If previously locked, unlock the Docking Station using the supplied key.



2. Secure tablet to avoid inadvertent ejection from Docking Station. Push down on the Barrel Lock button and release quickly taking care not to obstruct the travel of the Latch Hook. IF the Latch Hook does not extend fully to its unlatched position, lift up lightly on the front of the Latch Hook to fully release.



3. Once unlatched grab both sides of tablet, rock the top forward (1) and carefully lift out of Docking Station (2).



Related Products

Havis offers a wide variety of accessory products specifically for use with your Docking Station. For more information or to order, please visit www.havis.com.



LPS-140

120W Power Supply

External in-vehicle power supply and cable for GETAC F110 Tablet with cigarette lighter adaptor



LPS-211

Power Supply Mounting Bracket

Mount a power supply directly to your docking station with this versatile bracket.



DS-DA-218

Desktop Stand for Tablet Docking Stations

A durable stand for mounting tablet Docking Stations for use in home or office



DS-DA-502

Replacement Keys

Set of (2) replacement keys for DS-GTC-220 Series Docking Stations



DS-DA-337

Kit for Mounting a Forward Facing USB Port

Kit that allows for converting one USB Port of the Dock IO into a Forward Facing USB Port