

CUSTOM[®]

SANItize box

OZONE SANITIZATION SYSTEM



**DISINFECTS ANY TYPE OF ITEM
ELIMINATING VIRUSES, BACTERIA, MOLD AND FUNGI**



THE INNOVATION OF SANITIZE BOX

SANITIZES ITEMS SAFELY

OPERATION IS FULLY
AUTOMATIC

EASY TO USE AND MAINTENANCE-FREE

OPERATING AND PRODUCTION COSTS ARE EQUAL TO **ZERO**

DISINFECTS USING ONLY **OZONE** WITHOUT ANY CHEMICAL SUBSTANCES

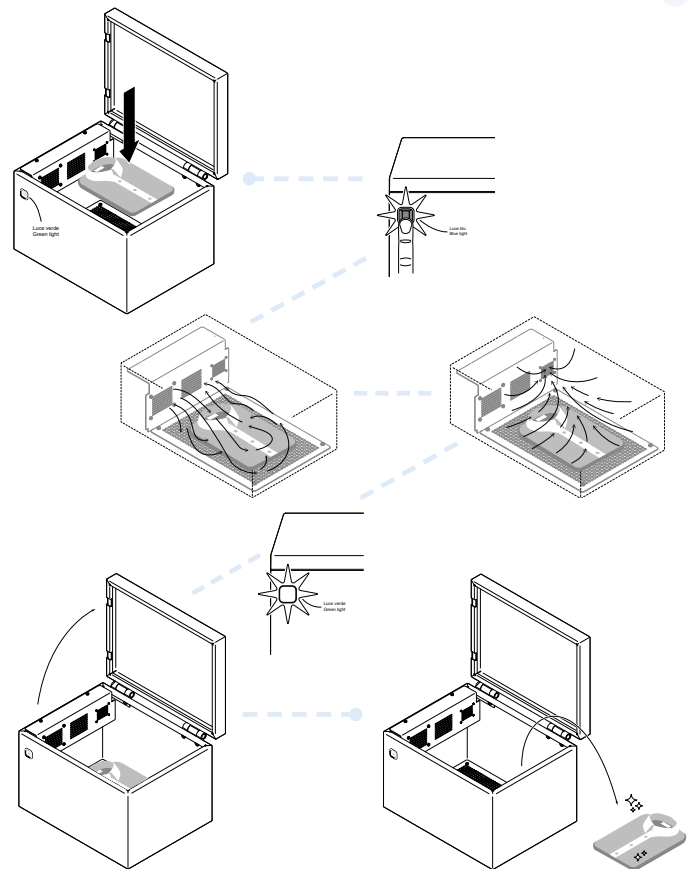
THE SANITIZING CYCLE

SANITIZE box is extremely safe and easy to use; its operating process consists of a few simple steps:

- 1 Place the item to treat in the sanitization chamber.
- 2 Close the cover and start the cycle by simply pressing the START / STOP button.

The sanitizing cycle has a duration of 25 minutes, but you can stop it at any time by pressing the START / STOP button.

During the first cycle phase, lasting 20 minutes, the system distributes ozone in the sanitization chamber, obtaining a homogeneous treatment on the entire item surface. The final cycle phase, lasting 5 minutes, is used instead to break down the ozone molecules: upon completion, any residual ozone will be harmless and will be dispersed immediately once the cover is opened.



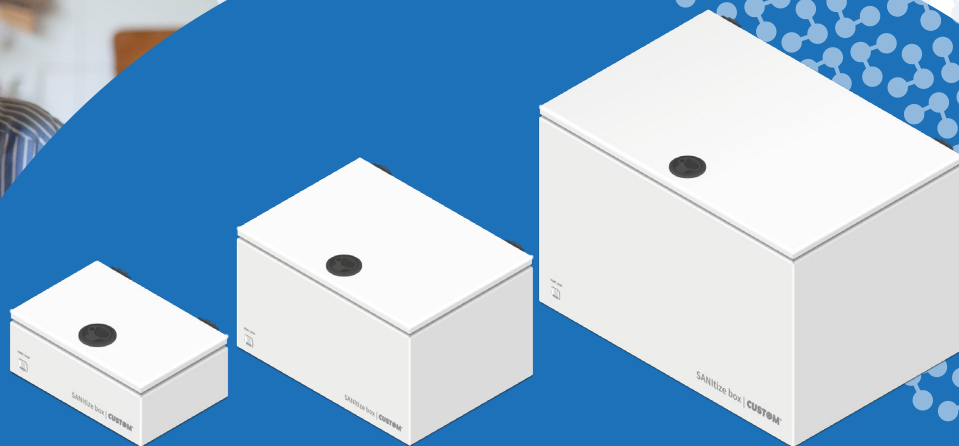


THE SANITIZING POWER OF OZONE

Ozone is the most powerful oxidizing agent available for use on the market. Unlike other technologies, ozone propagates uniformly inside the sanitizing chamber, thus obtaining a homogeneous action over the entire surface to treat, even at the points that are normally impossible to reach.

Ozone cannot be stored in cylinders, being an unstable gas with a limited life cycle. **SANITIZE Box** is capable of producing ozone on the spot and continuously (H24), without requiring refills and practically at no cost.

Ozone has been recognized by the Italian Ministry of Health (Protocol No. 24482 of 31 July 1996) as natural protection for the sanitization of environments contaminated by bacteria, viruses, spores, etc.



SMALL

300 × 200 × 120

220 × 162 × 104

MEDIUM

430 × 300 × 250

350 × 261 × 234

LARGE

600 × 400 × 400

530 × 360 × 384

OUTSIDE (mm)

INSIDE (mm)

AN EXTREMELY VERSATILE PRODUCT

SANitize box can be used in a huge number of applications both in the professional field - with a specific focus on sectors in direct contact with the public - and for home use.

Here are some examples of its areas of use:

HOME

To sanitize the items we come into contact with every day, such as smartphones, wallets, keys, earphones and children's products.



LARGE SCALE DISTRIBUTION

HO.RE.CA. LOGISTICS

To sanitize badges, POS machines, card readers, tablets and electronic terminals of all kinds.



RETAIL

To sanitize clothing, shoes, jewellery and glasses for sale, which can be handled by both customers and staff.



PERSONAL CARE

To disinfect your own working tools and to safeguard the health of your customers.



WWW.CUSTOM.BIZ

CUSTOM[®]