

PF8d | PF8t

Desktop Printer



User's Guide

Intermec Technologies Corporation

Worldwide Headquarters

6001 36th Ave.W.

Everett, WA 98203

U.S.A.

www.intermec.com

The information contained herein is provided solely for the purpose of allowing customers to operate and service Intermec-manufactured equipment and is not to be released, reproduced, or used for any other purpose without written permission of Intermec Technologies Corporation.

Information and specifications contained in this document are subject to change without prior notice and do not represent a commitment on the part of Intermec Technologies Corporation.

© 2007-2010 by Intermec Technologies Corporation. All rights reserved.

The word Intermec, the Intermec logo, Norand, ArciTech, Beverage Routebook, CrossBar, dcBrowser, Duratherm, EasyADC, EasyCoder, EasySet, Fingerprint, i-gistics, INCA (under license), Intellitag, Intellitag Gen2, JANUS, LabelShop, MobileLAN, Picolink, Ready-to-Work, RoutePower, Sabre, ScanPlus, ShopScan, Smart Mobile Computing, SmartSystems, TE 2000, Trakker Antares, and Vista Powered are either trademarks or registered trademarks of Intermec Technologies Corporation.

There are U.S. and foreign patents as well as U.S. and foreign patents pending.

Wi-Fi is a registered certification mark of the Wi-Fi Alliance.

Microsoft, Windows, and the Windows logo are registered trademarks of Microsoft Corporation in the United States and/or other countries.

Bluetooth is a trademark of Bluetooth SIG, Inc., U.S.A.

Document Change Record

This page records changes to this document. The document was originally released as version 001.

Version	Date	Description of Change
007	10/2010	Made corrections on how to connect your printer to the network, and added the default user name and password for the PF8d and PF8t.
006	08/2010	Updated the PF8d ports illustration. Added information for enabling the USB port, contacting Product Support, and troubleshooting tips. Made additional minor corrections throughout the guide.
005	11/2009	Added Ethernet port updates and upgrading firmware information.
004	3/2009	Corrected information regarding media specifications. Reformatted the manual to our new template.
003	06/2008	Corrected printing speeds for various printhead densities. Added procedure for adjusting Black Mark/Label Stop sensor. Minor format corrections.
002	08/2007	Removed listing of accessories. Revised information about installing and using a CompactFlash card. Minor format corrections.

Contents

Before You Begin.....	ix
Safety Information.....	ix
Global Services and Support.....	x
Warranty Information.....	x
Web Support.....	x
Telephone Support.....	x
Service Location Support.....	x
Who Should Read This Manual.....	xi
Related Documents.....	xi
Patent Information.....	xii

1 Using the PF8 Printers..... 1

Introducing the PF8 Printers.....	2
What's New.....	2
Identifying the Parts of the Printer.....	3
Identifying the Parts of the PF8d.....	3
Identifying the Parts of the PF8t.....	5
Understanding the Feed Button.....	7
Understanding the Status LED.....	7
Loading Media.....	8
Loading Tear-Off Media.....	9
Loading Self-Strip Media.....	14
Loading Cut-Off Media.....	21
Loading Media From an External Supply.....	26
Loading Thermal Transfer Ribbon (PF8t Only).....	27
Turning On the Printer.....	31
Performing a Testprint.....	32
Creating and Printing Labels.....	33
Installing a CompactFlash Card (PF8t Only).....	34

2	Connecting the Printer	37
	Connecting the Printer to Your PC	38
	Connecting the Printer Through the Serial Port	38
	Connecting the Printer Through the USB Interface	40
	Connecting the Printer Through the Parallel Port.....	42
	Connecting the Printer to Your Network.....	44
	Configuring the Printer	45
	Configuring the Printer From the Printer Home Page.....	45
	Configuring the Printer Using PrintSet	47
	Configuring the Printer By Sending Commands From Your PC.....	48
	Upgrading the Firmware.....	48
	Upgrading the Ethernet Firmware	49
3	Troubleshooting and Maintaining the Printer	51
	Troubleshooting the Printer	52
	Contacting Product Support.....	52
	Troubleshooting Tips	53
	Troubleshooting Printer Problems and Finding Solutions.....	53
	Cleaning the Printer.....	55
	Cleaning the Case.....	55
	Cleaning the Printhead.....	55
	Adjusting the Printer	56
	Adjusting the Thermal Printhead Pressure (PF8t Only).....	56
	Adjusting the Printhead Alignment.....	57
	Adjusting the Label Taken Sensor	57
	Adjusting the Label Gap Sensor	58
	Adjusting the Label Stop/Black Mark Sensor.....	58
A	Printer Specifications	61
	PF8d Printer Specifications	62
	PF8t Printer Specifications.....	63

PF8 Interfaces	64
RS-232 Serial Interface	64
USB Interface	65
Parallel Interface	66
Internal Interface	67
Media Specifications	67
Direct Thermal Media	67
Thermal Transfer Media	68
Labels (Non-Continuous)	69
Transfer Ribbons	73
Accessories for the Printer	74
B Default Settings	75
Default Configuration	76
Printer Default Settings	77

Contents

Before You Begin

This section provides you with safety information, technical support information, and sources for additional product information.

Safety Information

Your safety is extremely important. Read and follow all warnings and cautions in this document before handling and operating Intermec equipment. You can be seriously injured, and equipment and data can be damaged if you do not follow the safety warnings and cautions.

This section explains how to identify and understand warnings, cautions, and notes that are in this document. You may also see icons that tell you when to follow ESD procedures.



A warning alerts you of an operating procedure, practice, condition, or statement that must be strictly observed to avoid death or serious injury to the persons working on the equipment.



A caution alerts you to an operating procedure, practice, condition, or statement that must be strictly observed to prevent equipment damage or destruction, or corruption or loss of data.



This icon appears at the beginning of any procedure in this manual that could cause you to touch components (such as printed circuit boards) that are susceptible to damage from electrostatic discharge (ESD). When you see this icon, you must follow standard ESD guidelines to avoid damaging the equipment you are servicing.



Note: Notes either provide extra information about a topic or contain special instructions for handling a particular condition or set of circumstances.

Global Services and Support

Warranty Information

To understand the warranty for your Intermec product, visit the Intermec web site at www.intermec.com and click **Support > Returns and Repairs > Warranty**.

Disclaimer of warranties: The sample code included in this document is presented for reference only. The code does not necessarily represent complete, tested programs. The code is provided “as is with all faults.” All warranties are expressly disclaimed, including the implied warranties of merchantability and fitness for a particular purpose.

Web Support

Visit the Intermec web site at www.intermec.com to download our current manuals (in PDF).

Visit the Intermec technical knowledge base (Knowledge Central) at www.intermec.com and click **Support > Knowledge Central** to review technical information or to request technical support for your Intermec product.

Telephone Support

In the U.S.A. and Canada, call **1-800-755-5505**.

Outside the U.S.A. and Canada, contact your local Intermec representative. To search for your local representative, from the Intermec web site, click **About Us > Contact Us**.

Service Location Support

For the most current listing of service locations, go to www.intermec.com and click **Support > Returns and Repairs > Repair Locations**.

For technical support in South Korea, use the after service locations listed below:

AWOO Systems

102-1304 SK Ventium
522 Dangjung-dong
Gunpo-si, Gyeonggi-do Korea, South 435-776
Contact: Mr. Sinbum Kang
Telephone: +82-31-436-1191
E-mail: mjyun@awoo.co.kr

IN Information System PTD LTD

6th Floor
Daegu Venture Center Bldg 95
Shinchun 3 Dong
Donggu, Daegu City, Korea
E-mail: jmyou@idif.co.kr or korlim@gw.idif.co.kr

Who Should Read This Manual

This user's guide is for the person who is responsible for installing, configuring, and maintaining the PF8d and PF8t printers. This user's guide provides you with information about the features of the PF8d and PF8t printers, and how to install, configure, operate, maintain, and troubleshoot them.

Related Documents

Here are some related Intermec documents you might find useful:

- *[ESim for the PC4, PF8, PD41, and PD42 Printer Programmer's Reference Manual.](#)*

The Intermec web site at www.intermec.com contains our documents (as .pdf files) that you can download for free.

To download documents

- 1 Visit the Intermec web site at www.intermec.com.
- 2 Click the **Products** tab.
- 3 Using the **Products** menu, navigate to your product page. For example, to find the PF8 printer product page, click **Printers and Media > Fixed Printers > PF8**.

Before You Begin

4 Click the **Manuals** tab.

If your product does not have its own product page, click **Support > Manuals**. Use the **Product Category** field, the **Product Family** field, and the **Product** field to help you locate the documentation for your product.

Patent Information

Product is covered by one or more of the following patents:

5,581,293; 5,613,790; 5,927,876; 6,088,049; 6,345,920

There may be other U.S. and foreign patents pending.

1

Using the PF8 Printers

Use this chapter to familiarize yourself with the PF8 printers. This chapter contains these sections:

- **Introducing the PF8 Printers**
- **Identifying the Parts of the Printer**
- **Understanding the Feed Button**
- **Understanding the Status LED**
- **Loading Media**
- **Loading Thermal Transfer Ribbon (PF8t Only)**
- **Turning On the Printer**
- **Performing a Testprint**
- **Creating and Printing Labels**
- **Installing a CompactFlash Card (PF8t Only)**

Introducing the PF8 Printers

The PF8 desktop printers are lightweight, reliable, and easy-to-use. There are two models of PF8 printers:

- The PF8d is a 203 dpi direct thermal printer.
- The PF8t is a direct thermal or thermal transfer printer that is available in 203 and 300 dpi models.

Both models are designed to print a low volume of labels (less than 1000 labels) per day and come with parallel, serial RS-232, and USB ports. You can install a cutter or label self-strip module accessory on both models of the PF8. You can also install a CompactFlash card adapter on the PF8t.



Follow ESD
Procedures

The discharge of electrostatic energy accumulated on the human body, clothing, or other surfaces can damage or destroy the printhead or electronic components used in these printers. Avoid touching the electrical connectors while unpacking or setting up your printer.



Note: Unless otherwise noted, this manual uses the term PF8 to refer to both the PF8d and PF8t printers, and all graphics refer to both the PF8t and PF8d.

What's New

This version of the user's guide includes these updates:

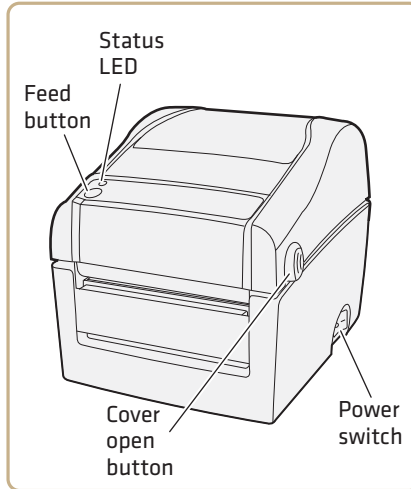
- Made corrections on how to connect the printer to the network.
- Added the default user name and password for connecting to the printer home page.

Identifying the Parts of the Printer

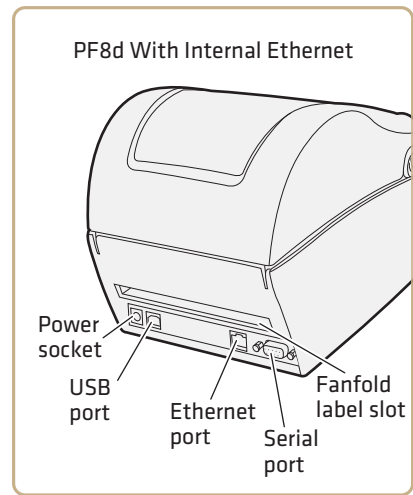
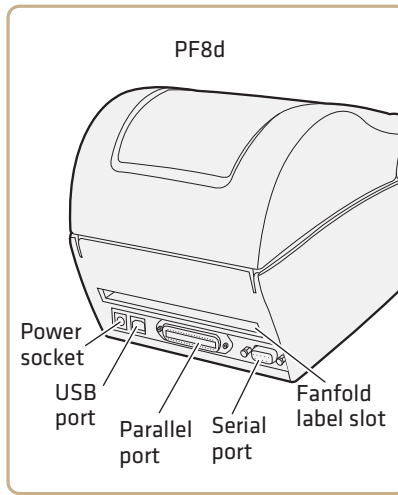
Use this section to familiarize yourself with the parts of the PF8d and PF8t printers.

Identifying the Parts of the PF8d

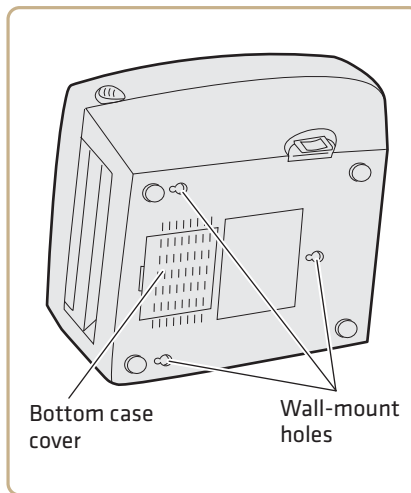
Use the illustrations in this section to identify the parts of the PF8d.



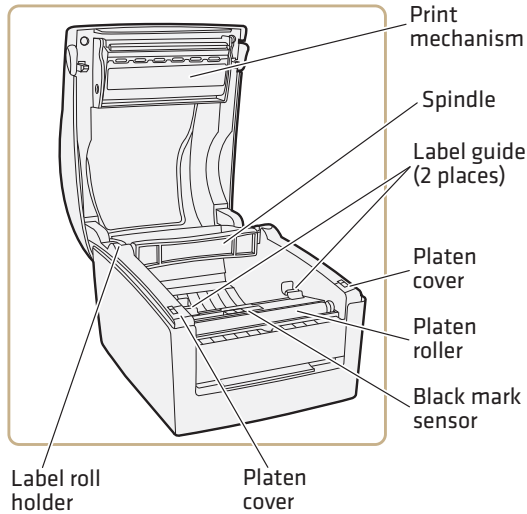
PF8d Front View: The printer is controlled by a **Power** switch, a **Feed** button, and a multi-color status LED. Cover open buttons located on each side of the printer provide access to the media compartment.



PF8d Rear View: The standard version of the PF8d has a parallel port, and the internal Ethernet version has an Ethernet port.



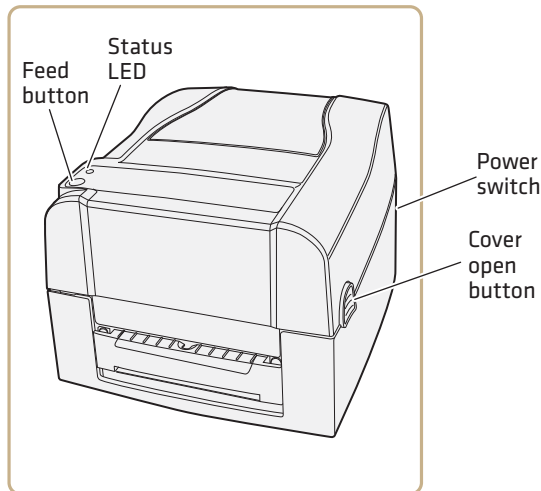
PF8d Bottom View: The bottom of the PF8d has hanger holes you can use to wall-mount the printer.



PF8d Media Compartment: The PF8d is a direct thermal printer. The top cover and the print mechanism are combined into a single unit.

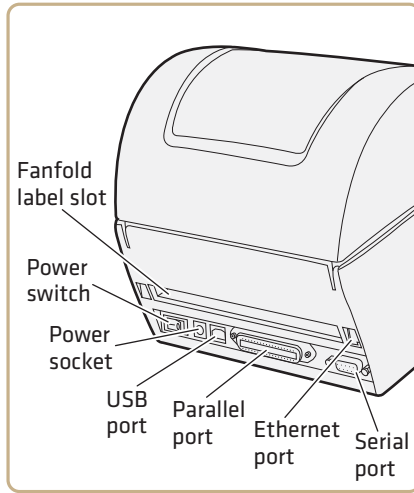
Identifying the Parts of the PF8t

Use the illustrations in this section to identify the parts of the PF8t.

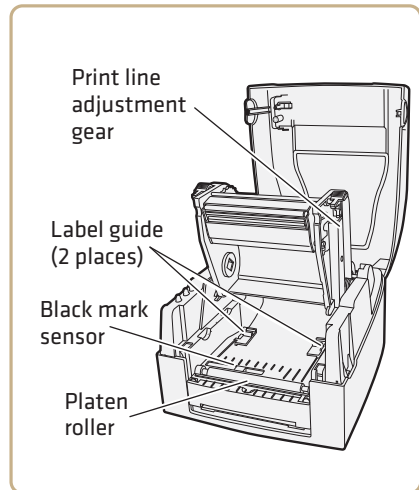
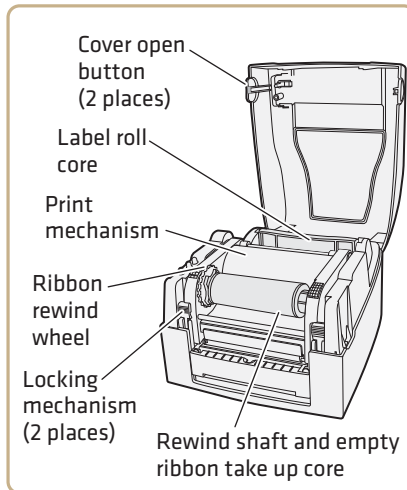


PF8t Front View: The printer controlled by a **Power** switch (located behind the printer), a **Feed** button, and a multi-color status LED. Cover open buttons located on each side of the printer provide access to the media compartment.

Chapter 1 – Using the PF8 Printers



PF8t Rear View



PF8t Media Compartment: The PF8t is a thermal transfer or direct thermal capable printer. The media compartment accommodates the media supply and the transfer ribbon supply.

Understanding the Feed Button

Use the next table to understand the functions of the **Feed** button.

Understanding the Feed Button

When You Do This:	This Happens:
Press and release the Feed button	The media advances a short distance out of the printer.
Hold down the Feed button while the power is on	The printer enters Media Sensing mode. When you release the button, the printer performs a testprint. For more information, see “Performing a Testprint” on page 32 .

Understanding the Status LED

The status LED turns green, orange, or red to indicate the current status of the printer. Use the next table to understand the status LED states.

Status LED States

LED State	Description
Blinking green	The printer is in autosensing mode. The printer is downloading a font, form, or graphic.
Solid green	The printer is in Ready mode. The printer is in Print mode. The printer is in Dump mode.
Solid orange	The printer is in Boot mode.
Blinking red	There is a media jam, or the printhead or stepper motor is overheated. The printer is downloading firmware.
Solid red	The printer is out of media or ribbon. The printer is in Error mode.

Loading Media

The PF8 prints on direct thermal media. The PF8t can also print on thermal transfer media, such as self-adhesive labels, non-adhesive tags, or continuous stock. To print on thermal transfer media, you also need thermal transfer ribbon.

The method you use to load media depends on how you want the printer to operate. The PF8 can print in these modes:

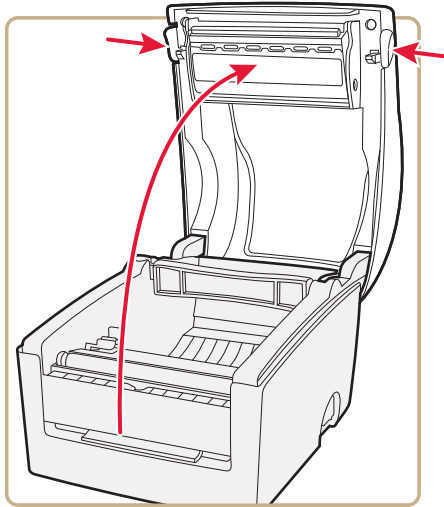
- Tear-off (straight-through). In tear-off printing mode, you manually tear off the media against the printer's tear bar.
- Self-strip (peel-off). In self-strip mode, self-adhesive labels are separated from the liner immediately after printing. You need the optional self-strip module. For more information, see **“Accessories for the Printer” on page 74**.
- Cut-off. Cut-off printing can be used for non-adhesive continuous stock and self-adhesive labels with liner (cut only liner between labels). You need the optional cutter accessory. For more information, see **“Accessories for the Printer” on page 74**.

Loading Tear-Off Media

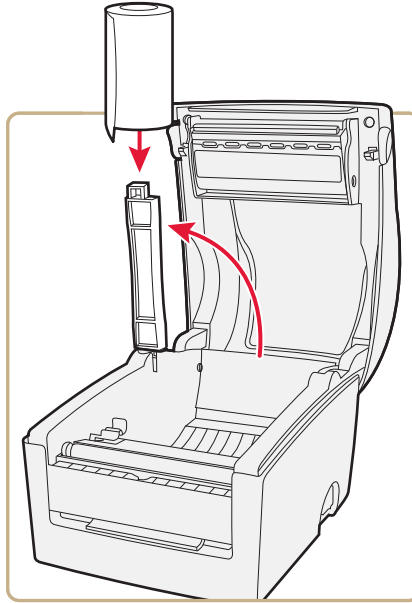
In tear-off printing mode, you manually tear off the media against the printer's tear bar.

To load tear-off media

- 1 Press the cover open buttons on both sides, and open the cover.



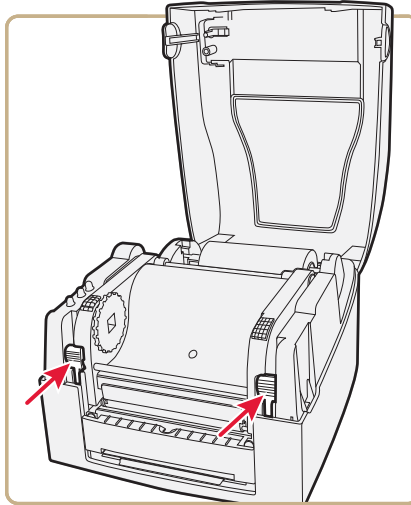
- 2** Lift up the spindle and insert a roll of media. If you are replacing a roll of media, make sure you remove the empty label roll core.



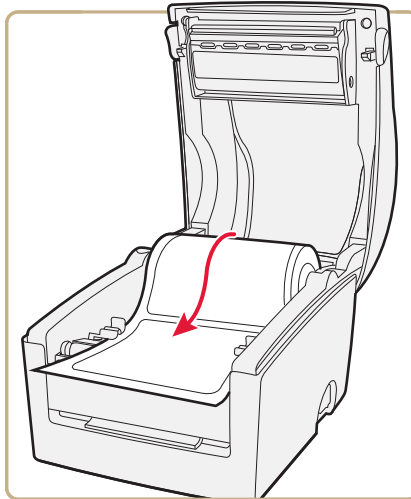
Note: The PF8d spindle lifts up but remains attached to the printer, while the PF8t spindle lifts completely out of the compartment.

- 3** Clamp the spindle in place.

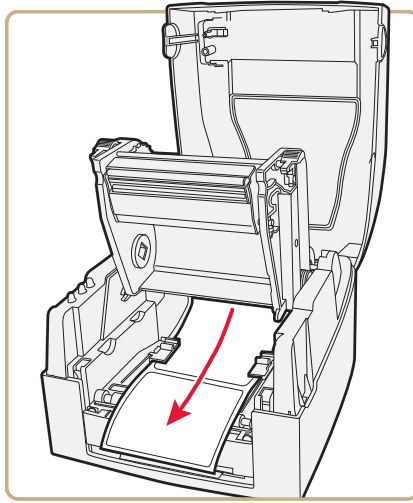
- 4 If you have a PF8t, press the locking mechanism and open the print mechanism and ribbon container.



- 5 Put the label between the label guides and pull it forward.

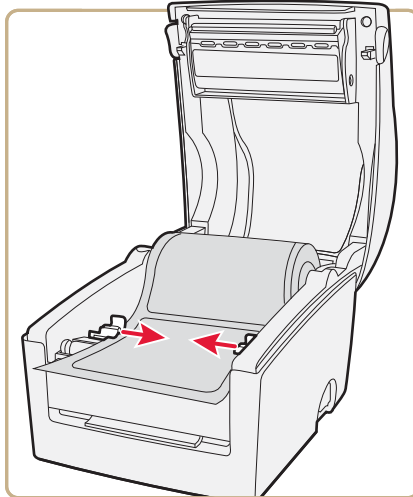


Pulling the Label Forward on the PF8d

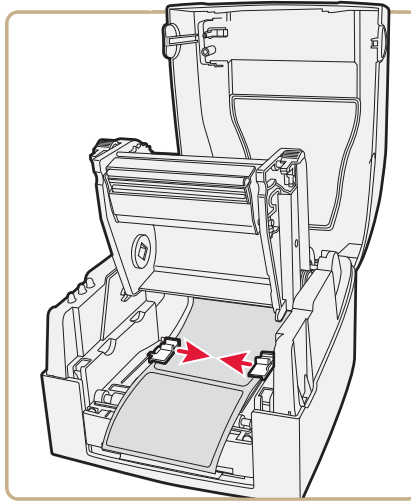


Pulling the Label Forward on the PF8t

- 6** Adjust the label guides to fit your media.



Adjusting the Label Guides on the PF8d



Adjusting the Label Guides on the PF8t

7 On the PF8d, close the top cover. On the PF8t, continue with **“Loading Thermal Transfer Ribbon (PF8t Only)” on page 27.**



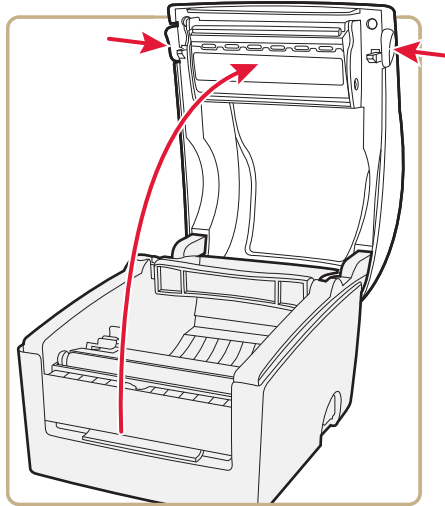
Note: If you are loading media for the first time or changing from another type or size of media, you need to adjust the label gap sensor. For help, see **“Adjusting the Label Gap Sensor” on page 58.**

Loading Self-Strip Media

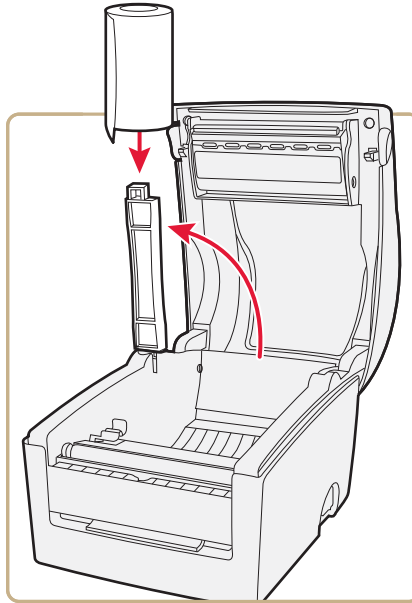
The self-strip option lets you automatically peel individual labels. For more information, see [“Accessories for the Printer” on page 74](#).

To load self-strip media

- 1 Press the cover open buttons on both sides, and open the cover.



- 2** Lift up the spindle and insert a roll of media. If you are replacing a roll of media, make sure you remove the empty label roll core.

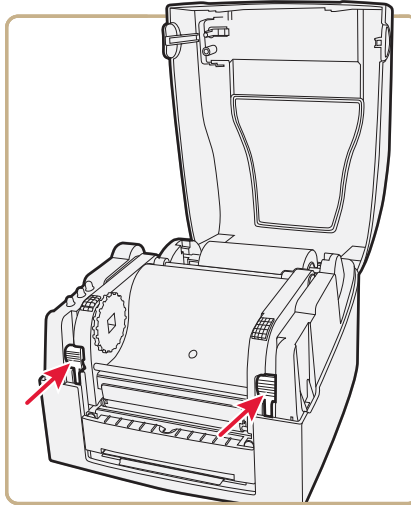


Note: The PF8d spindle lifts up but remains attached to the printer, while the PF8t spindle lifts completely out of the compartment.

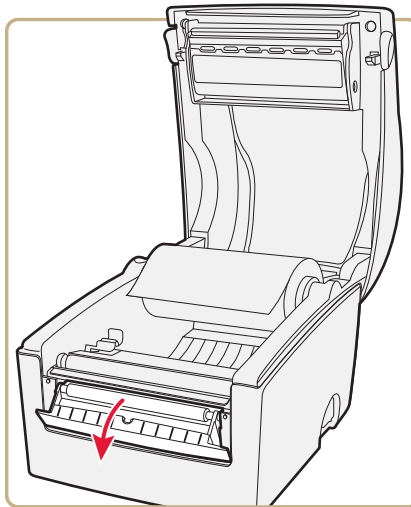
- 3** Clamp the spindle in place.

Chapter 1 – Using the PF8 Printers

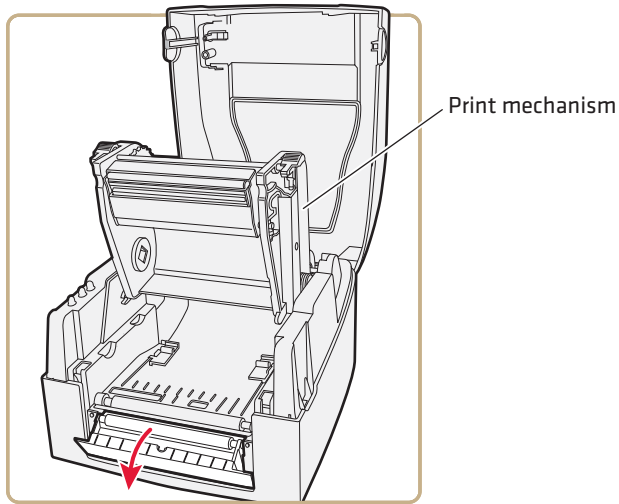
- 4 If you have a PF8t, press the locking mechanism and open the print mechanism and ribbon container.



- 5 Open the self-strip mechanism.

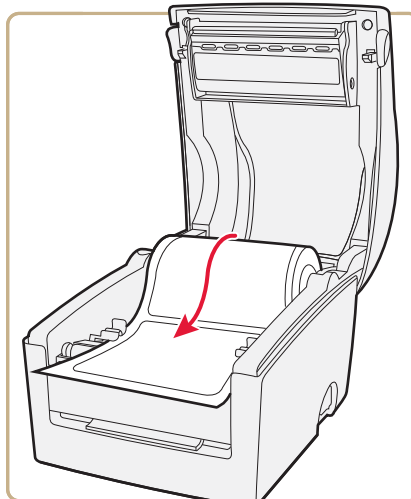


Opening the Self-Strip Mechanism on the PF8d

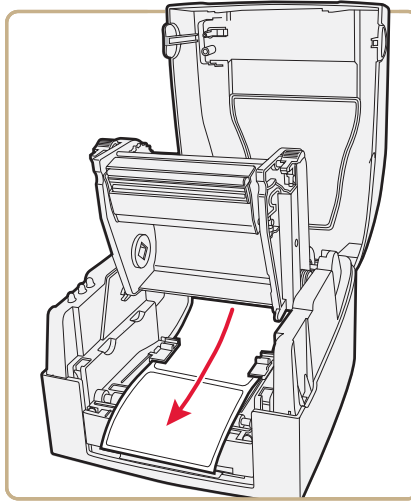


Opening the Self-Strip Mechanism on the PF8t

- 6 Feed the media through the label guides and pull it forward.

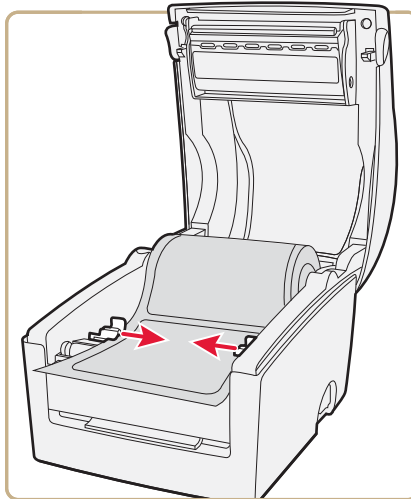


Pulling the Media Forward on the PF8d

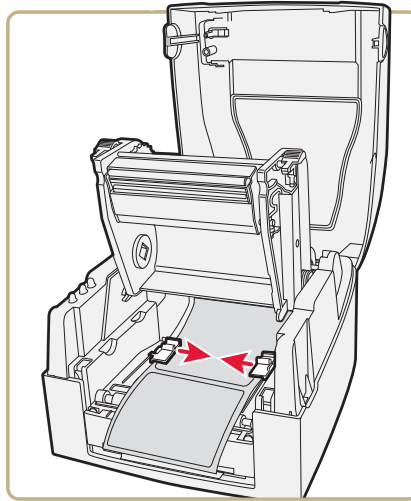


Pulling the Media Forward on the PF8t

7 Adjust the label guides to fit your media.

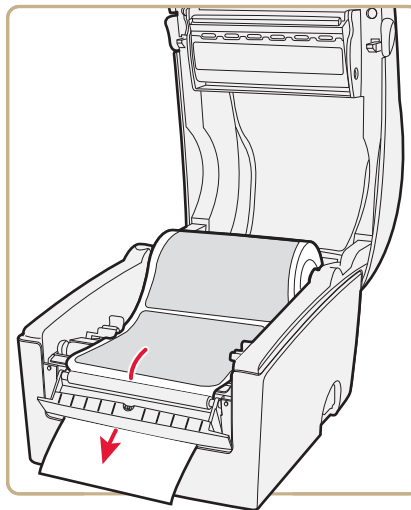


Adjusting the Label Guides on the PF8d

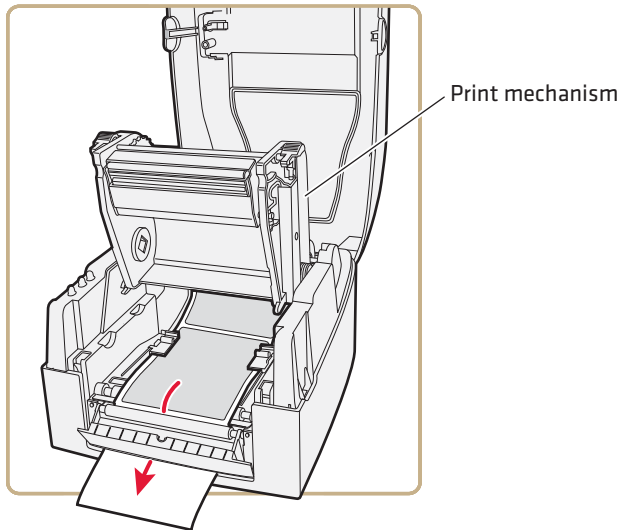


Adjusting the Label Guides on the PF8t

- 8 Peel the label away from the first 10 cm (4 in) of the liner.
- 9 Thread the liner around the peel-off bar and insert the liner inside the peel-off mechanism so that it protrudes from the slot below the mechanism.



Threading the Liner Inside the Peel-off Mechanism for PF8d



Threading the Liner Inside the Peel-off Mechanism for PF8t

- 10** Hold the media and pull the liner until it is tight.
- 11** Close the self-strip mechanism.
- 12** On the PF8d, close the top cover. On the PF8t continue with **“Loading Thermal Transfer Ribbon (PF8t Only)” on page 27.**



Note: If you are loading media for the first time or changing from another type or size of media, you need to adjust the label gap sensor. For help, see **“Adjusting the Label Gap Sensor” on page 58.**

Loading Cut-Off Media

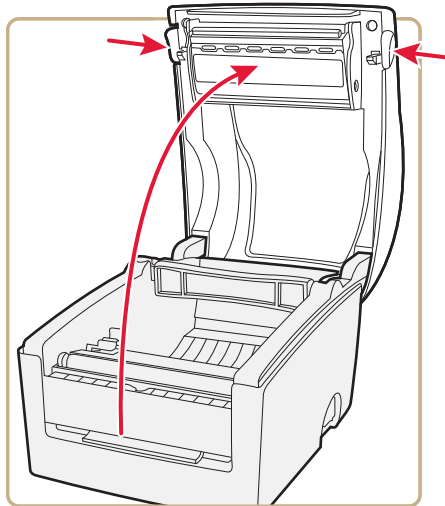
You can use the cutter option to cut non-perforated labels. For more information, see [“Accessories for the Printer” on page 74](#).



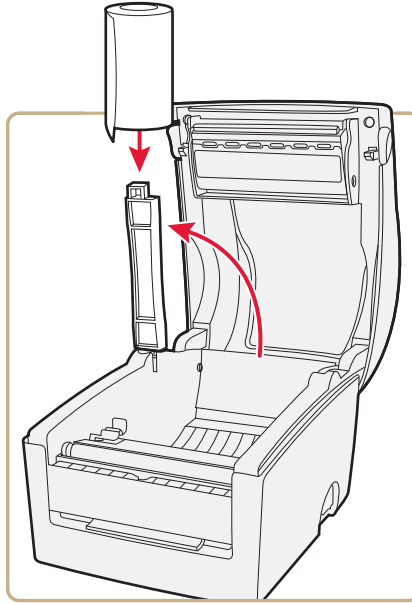
You cannot use the cutter option to cut through labels, only through the liner between the labels. Cutting through labels causes the adhesive to stick to cutting parts and prevents the cutter from working properly. You need to wind media rolls with the printable side facing upward to prevent jamming the cutter.

To load cut-off media

- 1 Press the cover open buttons on both sides, and open the cover.



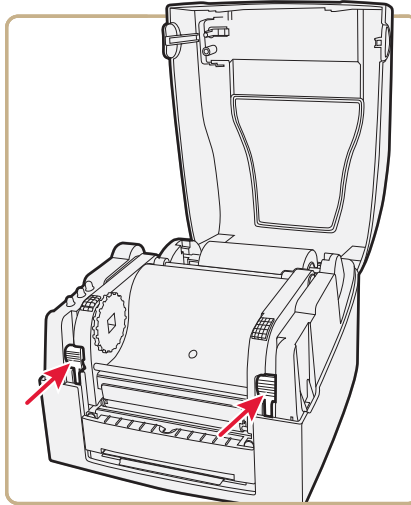
- 2** Lift up the spindle and insert a roll of media. If you are replacing a roll of media, make sure you remove the empty label roll core.



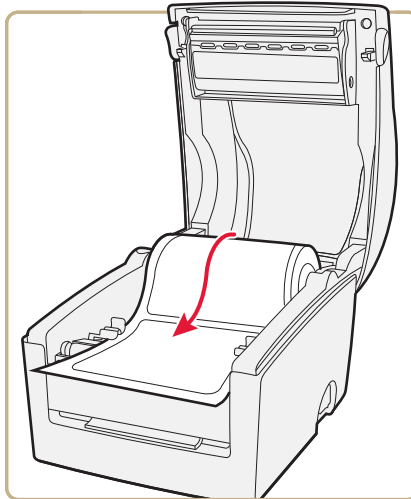
Note: The PF8d spindle lifts up but remains attached to the printer, while the PF8t spindle lifts completely out of the compartment.

- 3** Clamp the spindle in place.

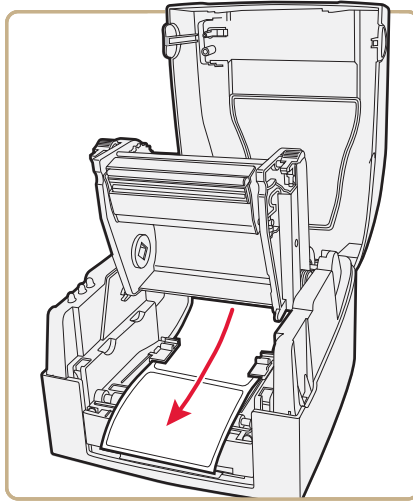
- 4 If you have a PF8t, press the locking mechanism and open the print mechanism and ribbon container.



- 5 Feed the media through the label guides and pull it forward.

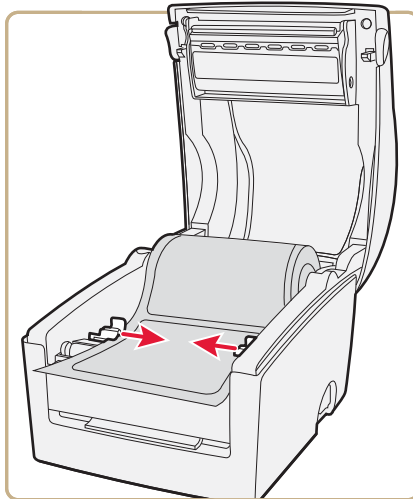


Pulling the Label Forward on the PF8d

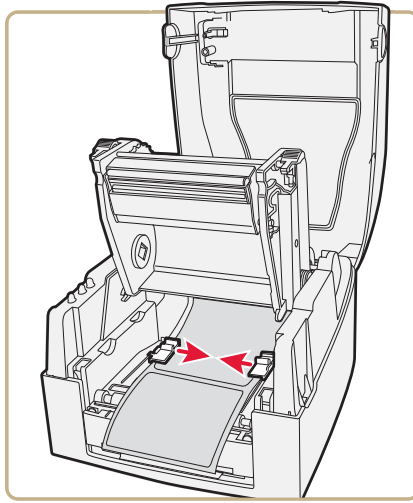


Pulling the Label Forward on the PF8t

- 6** Adjust the label guides to fit your media.

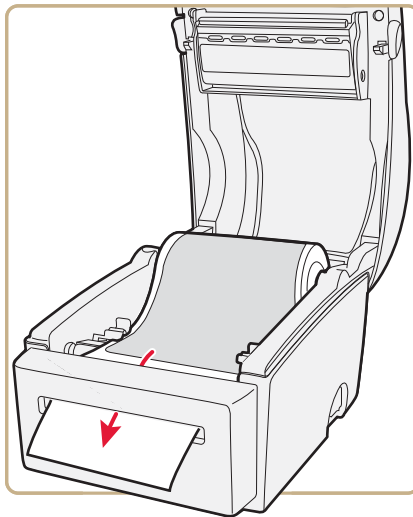


Adjusting the Label Guides on the PF8d

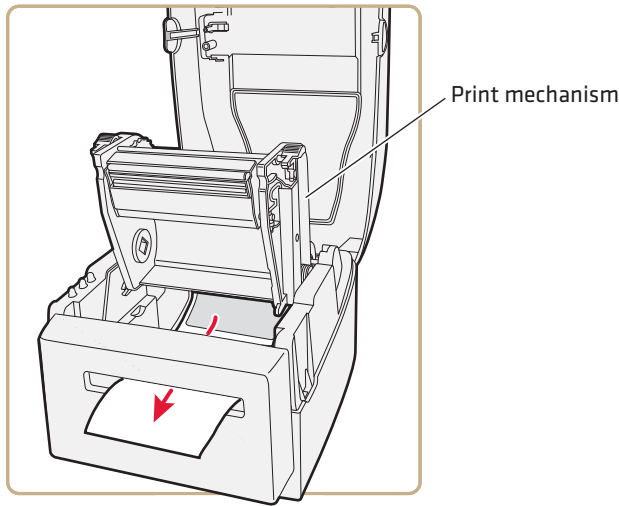


Adjusting the Label Guides on the PF8t

- 7 Route the media through the slot in the cutter mechanism just in front of the tear bar.



Routing the Liner Inside the Cut-off Mechanism for the PF8d



Routing the Liner Inside the Cut-off Mechanism for the PF8t

- 8 On the PF8d, close the top cover. On the PF8t continue with **“Loading Thermal Transfer Ribbon (PF8t Only)” on page 27.**



Note: If you are loading media for the first time or changing from another type or size of media, you need to adjust the label gap sensor. For help, see **“Adjusting the Label Gap Sensor” on page 58.**

Loading Media From an External Supply

You can place the media supply, such as fanfold tickets or tags, behind the printer.

To load media from an external supply

- Insert the media through the slot in the back of the printer. You do not use the spindle.

Follow the instructions for the type of media you are using.



Note: Make sure to protect the media from direct sunlight and from dust, dirt, or other foreign particles that can impair the printout quality or cause unnecessary wear to the printhead.

Loading Thermal Transfer Ribbon (PF8t Only)

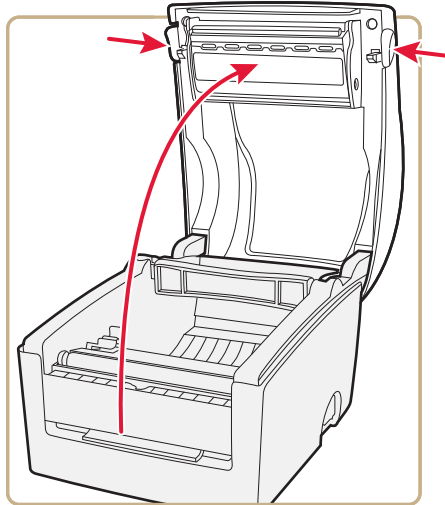
You need to use thermal transfer ribbon to print on thermal transfer (non-heat-sensitive) media. Make sure to select ribbon that matches the face materials of the media to obtain the best durability and print quality.



Note: The PF8t can use only ribbon that is “wind direction out,” which means that the ribbon is loaded with the inked side (dull side) facing out. Using thermal transfer ribbon that is “wind direction in,” may damage the rewind motor.

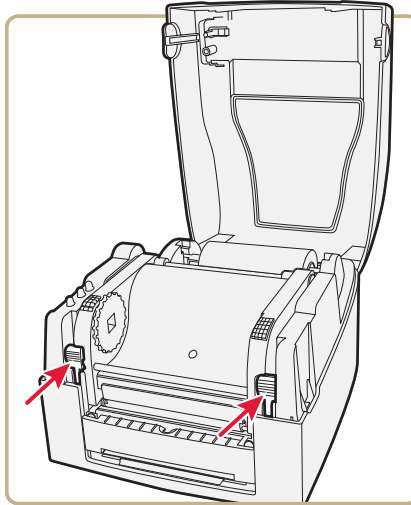
To load a thermal transfer ribbon roll

- 1 Press the cover open buttons on both sides, and open the cover.

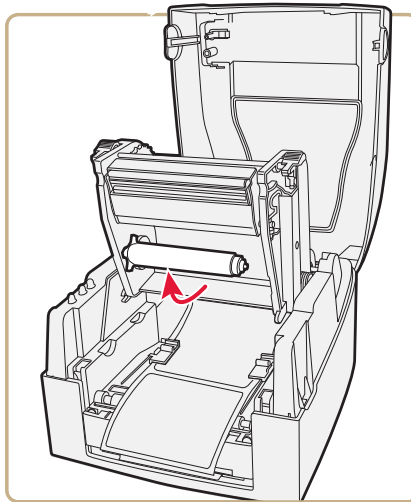


Chapter 1 – Using the PF8 Printers

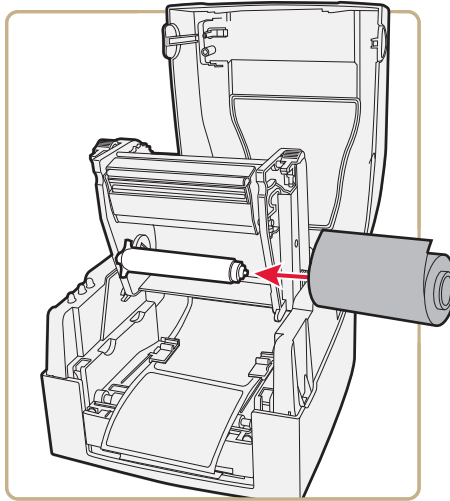
- 2 If you have a PF8t, press the locking mechanism and open the print mechanism and ribbon container.



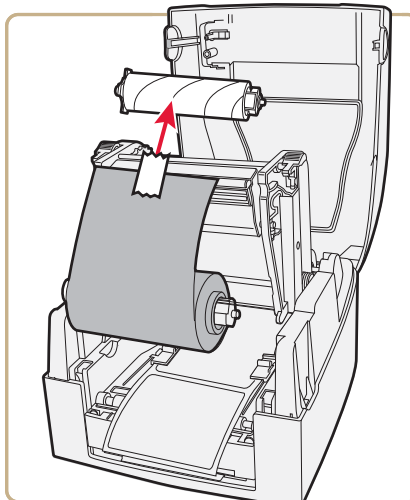
- 3 Insert the empty ribbon take up core onto the ribbon rewind wheel. Make sure you attach the cardboard spindle to the core.



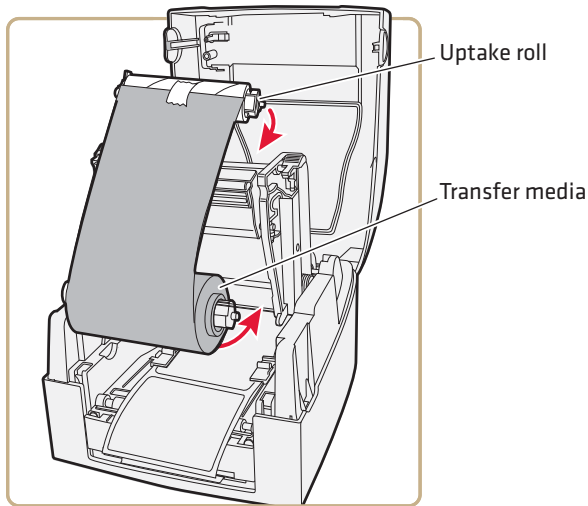
- 4** Insert a new transfer ribbon roll onto the ribbon supply shaft.



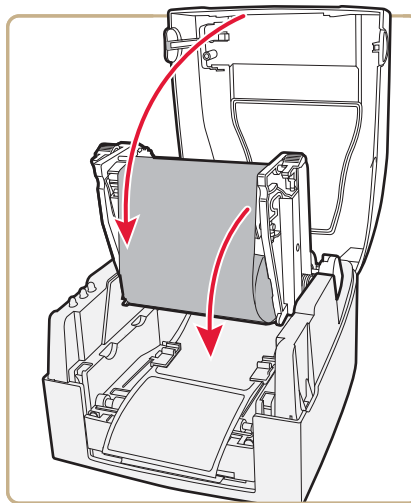
- 5** Take the leader end of the transfer ribbon and attach the leader to the top of the rewind core with tape. Make sure to center align the ribbon leader with the core.



- 6 Place the uptake roll and transfer media into their respective slots.



- 7 Close the print carriage and firmly press down on both sides until the print carriage clicks and is locked into place.



- 8 Firmly close the printer top cover.
- 9 Press the **Feed** button until the status LED turns green.

When you switch between direct thermal and thermal transfer printing, or when you switch between different types of transfer ribbon, you can remove a partially used transfer ribbon and save it for later use.

To remove a partially used ribbon

- 1 Press the cover open buttons on both sides, and open the cover.
- 2 Press the green release tabs at the bottom of the top cover on both sides of the printhead, and lift the print carriage halfway up while keeping the top cover fully opened.
- 3 Using a pair of scissors, cut the transfer ribbon just below the rewind roll.
- 4 Rewind the unused ribbon onto the supply spool.
- 5 Remove the roll by pushing it to the left until the right end disengages, and then lift up the roll.
- 6 Fasten the loose end with a piece of tape or label to prevent the roll from unwrapping.
- 7 Remove the rewind roll by pushing it to the left until the right end disengages, and then lift it out. Dispose of the used ribbon.

Note: Keep the ribbon core to use the next time you load ribbon.



Turning On the Printer

This section describes how to turn on the printer.



There is a danger of personal injury if the printer and power supply are operated in an environment where they can get wet. Use only Intermec power supply adapter P/N 1-092363-xx.

To turn on the printer

- 1 Place the printer on a stable surface.
- 2 Place the power supply adapter in a suitable location between the printer and an electrical outlet. The power supply adapter can be used for 100 to 240 VAC, 50 to 60 Hz.

- 3** Make sure the printer is off.
- 4** Insert the round connector on the power cord into the power receptacle in the back of the printer.
- 5** Insert the power cord plug into an AC socket.
- 6** Turn the printer on.
- 7** The status LED changes from red to green indicating that the power is turned on.

Performing a Testprint

You can print a test label (perform a testprint) to:

- make sure that your printer is working properly.
- get your printer setup, hardware, and network information.
- check print quality and determine which adjustments to make.

To perform a testprint

- 1** Load media in the printer. For help, see [“Loading Media” on page 8](#).
- 2** Press and hold the **Feed** button while turning the printer on. The status LED blinks green for 2 seconds, blinks red for 2 seconds, and then blinks green again.
- 3** If you are using continuous stock or gap media, release the **Feed** button when the LED is blinking green.
If you are using black mark media, release the **Feed** button when the LED is blinking red.
- 4** The printer automatically adjusts the label gap sensor and media feed according to the characteristics of the media. The printer may feed three to four labels before the adjustment is completed. If you are using self-strip media, remove the labels as they are fed out.

After a short delay, a test label prints and the printer enters Dump mode. For more information about Dump mode, see the [ESim for the PC4, PF8, PD41, and PD42 Printer Programmer’s Reference Manual](#).

- 5 Press the **Feed** button once to return to normal operation.

Or, press and hold the **Feed** button for at least 3 seconds after the test label prints to reset the printer to the default settings. The status LED turns red to indicate that the printer was reset to the default settings, and then it turns green.

Creating and Printing Labels

The easiest way to create and print labels, is to use the LabelShop® label design software. You can download LabelShop from the PrinterCompanion CD that shipped with your printer or from the PF8 Downloads page on the Intermec web site at www.intermec.com.

You can also use ESim to create and print labels. For more information, see the *ESim for the PC4, PF8, PD41, and PD42 Printer Programmer's Reference Manual*.

To download and install LabelShop (serial or parallel connection)

- 1 Use the Windows Control Panel Add/Remove Programs feature to uninstall all previous versions of LabelShop and service packs for LabelShop from your PC.
- 2 Connect your printer to your PC with a serial or parallel cable. For help, see “**Connecting the Printer to Your PC**” on page 38.
- 3 Download LabelShop from the PrinterCompanion CD or the Intermec web site at www.intermec.com, and install the application on your PC.
- 4 Download LabelShop Service Pack 5 from the Intermec web site at www.intermec.com, and install the service pack in the same directory as LabelShop on your PC.

To download and install LabelShop (USB connection)

- 1 Use the Windows Control Panel Add/Remove Programs feature to uninstall all previous versions of LabelShop and service packs for LabelShop from your PC.
- 2 Connect your printer to your PC with a USB cable. For help, see “**Connecting the Printer to Your PC**” on page 38.

- 3 Install Windows InterDriver version 7.1.4 or later from the PrinterCompanion CD or from the Intermec web site at www.intermec.com.
- 4 Download LabelShop from the PrinterCompanion CD or the Intermec web site at www.intermec.com, and install the application on your PC.
- 5 Download LabelShop Service Pack 5 from the Intermec web site at www.intermec.com, and install the service pack in the same directory as LabelShop on your PC.

Installing a CompactFlash Card (PF8t Only)

The PF8t comes with a 4 MB flash memory and 8 MB of SDRAM memory. You can install the CompactFlash adapter accessory to use a CompactFlash card to expand the built-in memory. For more information, see “[Accessories for the Printer](#)” on page 74.

You send an M command to your printer from a terminal emulation application, such as HyperTerminal to select which memory source to use. You can only use one of these memory sources.

Memory Allocation Commands

Command	Description
M0	Select built-in memory
M1	Select CompactFlash memory
MF	Format the CompactFlash card

For more information on commands, see the [ESim for the PC4, PF8, PD41, and PD42 Printer Programmer’s Reference Manual](#).

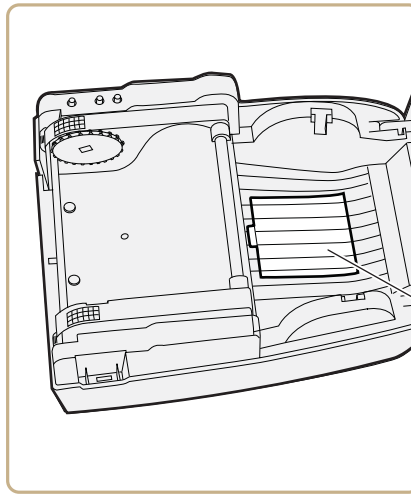


Caution

Turn the printer power off when installing or removing the CompactFlash card.

To install the CompactFlash card

- 1** Turn the PF8t power off.
- 2** Press the cover open buttons on both sides, and open the cover.
- 3** Remove any media and the spindle.
- 4** Open and remove the CompactFlash card slot cover from the printer base.



CompactFlash
card slot cover

- 5** Insert the CompactFlash card in the CompactFlash adapter. Make sure that the card is oriented correctly in the slot. Push firmly to seat the card.
- 6** Install the CompactFlash card slot cover.
- 7** Close the top cover and turn on the printer power.

2

Connecting the Printer

Use this chapter to connect the printer to your PC or your network. In this chapter you will find these sections:

- **Connecting the Printer to Your PC**
- **Connecting the Printer to Your Network**
- **Configuring the Printer**
- **Upgrading the Firmware**
- **Upgrading the Ethernet Firmware**

Connecting the Printer to Your PC

Depending on the model of PF8 printer you have, you can connect the printer to your PC using a serial cable, USB cable, or parallel cable. After you connect your printer to your PC, you can send commands to your printer using a terminal emulation program, such as HyperTerminal.



Note: The PF8d with internal Ethernet support does not have a parallel port.

Connecting the Printer Through the Serial Port

You can use a serial connection to communicate with your PC and run PrintSet, LabelShop, or InterDriver. You can also use the serial port to send commands directly to the printer through a terminal application, such as HyperTerminal.

The serial communication parameters control communications between your printer and PC. On your printer, the serial port is referred to as “uart1:”.

Make sure the serial port settings on your printer match the settings on your PC. The default settings on your printer are: 9600 baud rate, 8 data bits, no parity, 1 stop bit, and no flow control.

To connect your printer to a PC through the serial port

- 1 Connect the serial cable that ships with your printer to your printer and PC.
- 2 If necessary, change the PC serial port configuration to match your printer. On your PC, select **Start > All Programs > Accessories > Communications > HyperTerminal**.
- 3 If this is the first time you are connecting to your printer, select a name for your connection and click **OK**. The Connect To window appears.

If you have a previous HyperTerminal connection to your printer saved, click **Cancel**. Select **File > Open** and open your existing connection. Continue with Step 8.

- 4** In the **Connect using** drop-down menu, make sure that **COM1** is selected.
- 5** Click **OK**. The COM1 Properties window appears.
- 6** Select these port settings:
 - Bits per second: 9600
 - Data bits: 8
 - Parity: None
 - Stop bits: 1
 - Flow control: None
- 7** Click **OK**.
- 8** Select **File > Properties > the Settings** tab.
- 9** Click **ASCII Setup**. The ASCII Setup window appears.
- 10** Select these check boxes:
 - **Send line ends with line feed**
 - **Echo typed characters locally**
 - **Append line feeds to incoming line ends**
- 11** Click **OK** to save and exit ASCII Setup.
- 12** Click **OK**.
- 13** Test your connection by typing UQ in the main window. Information about your printer appears in the window.

To send commands

- Type a command in the terminal window, and press **Enter**. For a list of commands, see the *[ESim for the PC4, PF8, PD41, and PD42 Printer Programmer's Reference Manual](#)*.

Connecting the Printer Through the USB Interface

To connect your printer to your PC through the USB device port, you need to:

- 1 Enable the USB port (only if you have a printer with internal Ethernet support).
- 2 Install the Intermec InterDriver® software from the PrinterCompanion CD that ships with the printer. For the latest version of InterDriver, go to the PF8 Downloads page on the Intermec web site at www.intermec.com.
- 3 Connect your printer to your PC with the USB cable that ships with your printer.

Each step is described in this section.

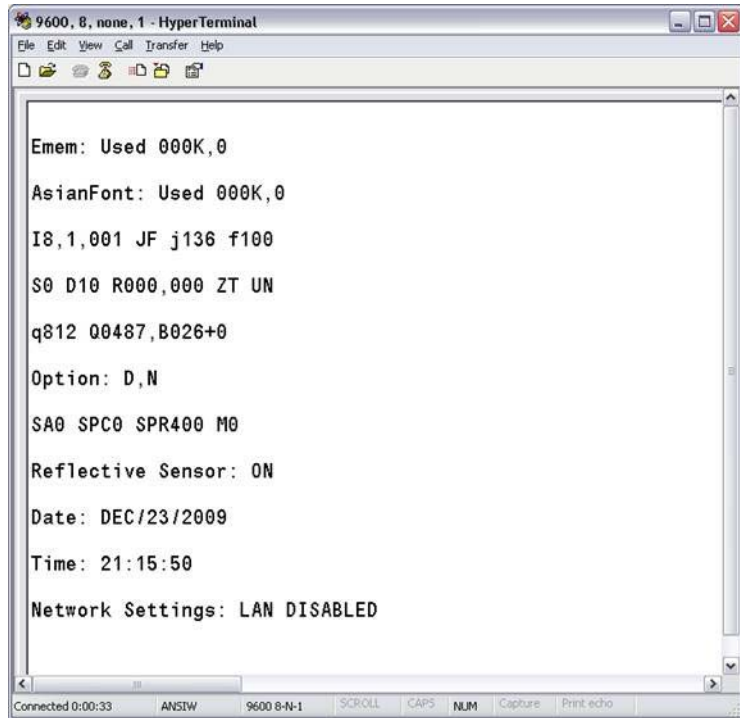
To enable the USB port



Note: When you enable the USB port, you disable the Ethernet port. Both ports cannot be enabled at the same time.

- 1 Connect your printer to your PC through the serial port. For help, see “[Connecting the Printer Through the Serial Port](#)” on [page 38](#).
- 2 Type `^XSET, USBETHERNET, 0` and press **Enter**.

- 3 To verify that the USB port is enabled, type UQ and press **Enter**. Make sure that the Network Settings: LAN DISABLED line appears.



To install the InterDriver software

- 1 On your PC, run InterDriver. The Intermecc End User License Agreement appears.
- 2 Read the agreement, select the option to accept the agreement, and then click **Next**. The Installation Directory screen appears.
- 3 The default installation directory is c:\Intermecc\InterDriver7. Click **Next** to use the default directory or specify a different location to install the files. The Installation Information screen appears.

- 4 Clear the **Run Driver Wizard after unpacking drivers** check box and click **Finish**.



Note: For LPT connections, you need to restart your computer so that Windows can detect the new hardware. For USB connections, the New Hardware Wizard automatically launches when you connect and turn on the printer.

- 5 On the New Hardware Wizard screen, select **Install from a list or specific location** and click **Next** to continue.
- 6 On the Search and Installation Options screen, click **Next**.
- 7 On the Hardware Installation warning screen, click **Continue Anyway**.
- 8 Click **Finish** to exit the New Hardware Wizard. InterDriver files are now installed on your computer.

To connect your printer to your PC with the USB cable

- Connect the USB cable to the connector on the back of the printer and connect the other end to your PC. You do not need to set up any parameters for USB communications.

Connecting the Printer Through the Parallel Port

To connect your printer to your PC through the parallel device port, you need to install Intermec InterDriver software and connect the cable to your PC.

If you ordered a PF8 with a parallel port, the parallel cable ships with the printer. The InterDriver printer driver is available on the PrinterCompanion CD that ships with the printer. To make sure you have the latest version of InterDriver, go to the PF8 Downloads page on the Intermec web site at www.intermec.com.



Note: The PF8d with internal Ethernet support does not have a parallel port.

To connect the printer to a PC through the parallel port

- 1** Connect the parallel cable to the connector on the back of the printer and connect the other end to your PC.
- 2** Start InterDriver. The File Download - Security Warning screen appears.
- 3** Click **Run** to run the executable. The Intermec End User License Agreement appears.
- 4** Read the agreement and select the button to accept the agreement, and then click **Next**. The Installation Directory screen appears.
- 5** The default installation directory is c:\Intermec\InterDriver7. Click **Next** to use the default directory or specify a different location to install the files. The Installation Information screen appears.
- 6** Clear the **Run Add Print Wizard after unpacking drivers** check box and click **Finish**.
- 7** On the New Hardware Wizard screen, select **Install from a list or specific location** and then click **Next** to continue.



Note: For LPT connections, you need to restart your computer for Windows to detect the new hardware. For USB connections, the New Hardware Wizard automatically launches when you connect and turn on your printer.

- 8** On the Search and Installation Options screen, click **Next**.
- 9** On the Hardware Installation warning screen, click **Continue Anyway**.
- 10** Click **Finish** to exit the New Hardware Wizard. InterDriver files are now installed on your computer.
- 11** Connect the parallel port to the back of the printer and connect the other end to your PC. You do not need to set up any parameters for USB communications.

Connecting the Printer to Your Network

If your PF8 has an internal Ethernet card, you can connect your printer to the network. The printer is set to automatically retrieve an IP address from the network (DHCP) after it is turned on. You can use the network connection with LabelShop or Intermec InterDriver. You can also directly send commands to the printer through a terminal emulation application, such as HyperTerminal. Terminal emulation connections use the Raw TCP protocol through port 9100.

To connect your printer to the Ethernet network

- 1 Connect one end of the Ethernet cable (sold and ordered separately) to the printer and the other end to the network.
- 2 On your PC, click **Start > All Programs > Accessories > Communications > HyperTerminal**.
- 3 If this is the first time you are connecting to your printer, select a name for your connection and click **OK**. The Connect To page appears.

If you have a previous HyperTerminal connection to your printer saved, click **Cancel**. Select **File > Open** and open your existing connection. Continue with Step 8.
- 4 From the **Connect using** drop-down menu, select **TCP/IP(Winsock)**.
- 5 In the **Host address** field, enter your IP address. To find your IP address, you can:
 - send a command using a serial connection. For help, see **“Connecting the Printer Through the Serial Port” on page 38**.
 - create a testprint. For help, see **“Performing a Testprint” on page 32**.
- 6 In the **Port number** field, enter 9100.
- 7 Click **OK**.



Note: When you enable the Ethernet port, you disable the USB port. Both ports cannot be enabled at the same time.

- 8 Test your connection by typing UQ in the main window and pressing **Enter**. Information about your printer appears.

To send commands

- Type a command in the terminal window and press **Enter**. For a list of commands, see the *ESim for the PC4, PF8, PD41, and PD42 Printer Programmer's Reference Manual*.

Configuring the Printer

You can configure your printer:

- from the printer home page. Intermec recommends using this method to configure your printer.
- using PrintSet. PrintSet is available on the PrinterCompanion CD. The latest version is available from the Intermec web site at www.intermec.com.
- by sending commands from your PC.

Configuring the Printer From the Printer Home Page

You can configure most network settings from the printer home page.

To configure the printer from the printer home page

- 1 Start a web browser application.

- In the address field, enter the IP address of your printer and press **Enter**. The printer home page appears.



Note: If you do not know the IP address of your printer, you can perform a testprint. For more information, see “**Performing a Testprint**” on page 32.

The screenshot displays the Intermecc Printer Companion web interface. At the top, the logo for Intermecc Technologies Corporation is visible. Below the logo, there are navigation links for 'Login' and 'Status', and a language selection menu with options: English | Deutsch | 日本語 | 繁體中文 | 簡體中文 | Français. The main content area is titled 'Status' and includes a '[Reload]' link. The status is organized into three sections:

- Printer Information:**
 - Printer Model: PF8-ESim 7.10
 - Internal USB Port: connection (high speed)
- Server Information:**
 - Server Model: USB-LAN
 - Server Name: EasyLAN
 - Description: Networking Printer Server
 - Firmware Version: 2.374
 - MAC Address: 00-11-E5-01-34-E9
- TCP/IP Status:**
 - IP Address : 10.200.27.199 (dhcp)
 - Subnet Mask : 255.255.255.0
 - Gateway : 10.200.27.1
 - DNS Server : 10.10.1.155
 - DHCP Server : 10.10.1.245
 - Lease Time : 28800 second

- Click **Login**.
- Enter your administrator name and password, and press **Enter**. The default username is `admin`, and the default password is `pass`. The Set General Configuration page appears.

- 5 From the navigation pane, click **Configuration**. The Configuration page appears.



- 6 Click the link for the settings you want to configure.

Configuring the Printer Using PrintSet

PrintSet is a printer configuration tool that allows you to easily change your setup parameters. You can also use the setup wizards in PrintSet to guide you through common configuration tasks.

To configure your printer using PrintSet

- 1 Make sure that your PC is running Microsoft Windows 98 or later.
- 2 Download PrintSet from the PF8 Downloads page on the Intermecc web site at www.intermecc.com.
- 3 Connect your printer to your PC using a serial cable. For help, see **“Connecting the Printer Through the Serial Port” on page 38**.
- 4 Install PrintSet and use the PrintSet wizard to guide you through common configuration tasks.

Configuring the Printer By Sending Commands From Your PC

- 1 Establish a HyperTerminal connection to your PC. For help, see **“Connecting the Printer Through the Serial Port” on page 38** or **“To connect your printer to the Ethernet network” on page 44**.
- 2 In the HyperTerminal window, type a network configuration command and press **Enter**. For example, using commands you can set these parameters:
 - IP address
 - Gateway
 - Nameserver

For a list of network configuration commands, see the *ESim for the PC4, PF8, PD41, and PD42 Printer Programmer’s Reference Manual*.

- 3 In the HyperTerminal window, type UQ and press **Enter**. The list of network configurations set for the printer are displayed in the window.

Upgrading the Firmware

To upgrade the printer firmware, you can use the Config Tool to install the firmware files. You can download the Config Tool from the PrinterCompanion CD or Intermec web site at www.intermec.com.



Note: Intermec recommends that you upgrade the printer firmware using PrintSet. For more information, see **“Configuring the Printer Using PrintSet” on page 47**.

To upgrade printer firmware

- 1 Make sure your printer is connected to your PC. For help, see **“Connecting the Printer to Your PC” on page 38**.
- 2 Download the firmware (.ufz) files to your PC. For the latest files, go to www.intermec.com.
- 3 Start the Config Tool. The Intermec Config Tool screen appears.

- 4 From the **Select Port** drop-down menu, select **COM1** or **LPT1** (parallel cable).
- 5 Select the appropriate printer.
- 6 Click the **Firmware download** tab.
- 7 Click the **Start Firmware Update wizard**.
- 8 Browse to the location of the firmware (.ufz) files, and click **OK**.

Upgrading the Ethernet Firmware

To upgrade the Ethernet firmware, you need to go to the printer home page and install the latest Ethernet firmware files.



Note: Intermec recommends that you upgrade the printer firmware using PrintSet. For more information, see [“Configuring the Printer Using PrintSet” on page 47](#).

To upgrade Ethernet firmware

- 1 Make sure your printer is connected to your PC. For help, see [“Connecting the Printer to Your PC” on page 38](#).
- 2 In the address field, enter the IP address of your printer and press **Enter**. The printer home page appears.
- 3 Click **Login** and enter your administrator name and password. The Set General Configuration page appears.
- 4 From the navigation pane, click **Maintenance** > **Server Firmware Update** to download the Ethernet firmware (.bin) files and upgrade your Ethernet firmware.
- 5 Reboot your printer.

3

Troubleshooting and Maintaining the Printer

Use this chapter to troubleshoot and maintain your printer. This chapter contains these sections:

- **Troubleshooting the Printer**
- **Cleaning the Printer**
- **Adjusting the Printer**

Troubleshooting the Printer

You may have printer operation, print quality, or printer communication problems at some time during the life of your printer. You can easily fix most of the problems you encounter. If you cannot find the answer to your problem in this section, you may need to contact Product Support.

Contacting Product Support

Before contacting Intermec Product Support, you may want to visit the Intermec technical knowledge base (Knowledge Central) at intermec.custhelp.com to review technical information or to request technical support. If you still need help after visiting Knowledge Central, you may need to call Product Support.

To talk to an Intermec Product Support representative in the U.S.A. or Canada, call:

1-800-755-5505

Outside the U.S.A. and Canada, go to www.intermec.com and click **Contact** to find your local Intermec representative.

Before calling Intermec Product Support, make sure you have the following information ready:

- Printer serial number
- Firmware type and version
- Ethernet, wireless, or serial port settings

You can find all of the information listed above in the printer menu system or on a testprint page.

Troubleshooting Tips

Use these tips to help resolve problems with the printer:

- Make sure all cables are correctly connected.
- Perform a testprint. For help, see **“Performing a Testprint” on page 32**. Make sure that the settings on the test page match the intended settings for your printer.
- Test communications by sending a command to the serial port.
- Check the communications port (such as USB, serial, or parallel) you are using to connect your printer to your PC. Make sure the port you are using is not being used by another application.
- Try performing an auto adjust in Autosensing mode. For help, see the *ESim for the PC4, PF8, PD41, and PD42 Printer Programmer’s Reference Manual*.
- Verify the firmware version on your printer. Make sure that you are not using a beta version. You can download the latest version from the PF8 Downloads page on the Intermec web site at www.intermec.com.

Troubleshooting Printer Problems and Finding Solutions

Use this section to find possible solutions to printer problems.

Printer Problems and Possible Solutions

Problem	Possible Solution
The status LED is off, but the power is on.	Make sure the connectors on the power supply are securely plugged into the printer and an AC outlet.
The status LED is green, but printer is not feeding media.	Try these possible solutions: <ul style="list-style-type: none"> • If the label taken sensor is on, make sure that the last label printed has been removed. • Make sure the correct type of interface cable is securely plugged into both the printer and computer.
Only partial labels are being printed.	Try these possible solutions: <ul style="list-style-type: none"> • Make sure that the print carriage is fully locked. Open the printer and lower the printhead completely. • Check to see if a label is caught on the printhead. If it is, remove the label and clean the printhead. For help, see “Cleaning the Printhead” on page 55.

Printer Problems and Possible Solutions (continued)

Problem	Possible Solution
The print quality is poor.	Try these possible solutions: <ul style="list-style-type: none">• Clean the printhead. For help, see “Cleaning the Printhead” on page 55.• Adjust the printhead pressure. For help, see “Adjusting the Printer” on page 56.
The printer seems to be working but nothing prints.	For direct thermal printing, try these solutions: <ul style="list-style-type: none">• Make sure that the heat-sensitive side of the media is facing the printhead.• Verify that the media is intended for direct thermal printing by testing to see if the media is blackened by heat from a hot object (70°C [160°F] or higher). For thermal transfer printing, verify that the printer is loaded with thermal transfer ribbon and that the ink-coated side (dull side) of the ribbon is facing the media. If not, reload the ribbon correctly.
The printing stops and status LED is orange.	Try these possible solutions: <ul style="list-style-type: none">• There may be a problem with the label gap sensor. Perform an auto adjust in Autosensing mode. For help, see the <i>ESim for the PC4, PF8, PD41, and PD42 Printer Programmer’s Reference Manual.</i>• There may be a media jam. Open the printer and check for stuck labels or ripped perforations.• There may be a problem with the printer firmware. Upgrade your firmware. For help, see “Upgrading the Firmware” on page 48.
A label is stuck on the roller.	Open the self-strip mechanism and peel off the stuck label while manually rotating the roller. Do not use a sharp tool to remove the label. Clean the self-strip mechanism and printhead. For help, see “Cleaning the Printhead” on page 55.
The printer continues to print or feed when it should stop printing.	Try these possible solutions: <ul style="list-style-type: none">• Check to see if a stuck label is blocking the label gap sensor. Open the top cover, remove the label, and clean the printhead. For help, see “Cleaning the Printhead” on page 55.• There may be a problem with the printer firmware. Upgrade your firmware. For help, see “Upgrading the Firmware” on page 48.
The label taken sensor does not hold printing until the label or tag has been removed.	Try these possible solutions: <ul style="list-style-type: none">• The label or tag may be bent, because the media is too long, too thin, or too soft. Pull the media back.• The label or tag may be too short. Pull the media forward.• The label taken sensor or cable may be defective. Contact Product Support. For help, see “Contacting Product Support” on page 52.

Cleaning the Printer

Clean your printer regularly to maintain the quality of your labels and extend the life of your printer.

Cleaning the Case

Keep your PF8 printer clean by periodically wiping it with a soft cloth dampened with water. Do not use abrasive cleaners or solvents that may scratch the surface.

Cleaning the Printhead

When you load new media, use the cleaning card (P/N 1-110501-00) to clean the printhead before you resume printing. You can also use the cleaning card to remove label adhesive residue from the printhead.

To clean the printhead

- 1** Turn off power to the printer.
- 2** Open the top cover and print carriage.
- 3** Remove the media and any transfer ribbon.
- 4** Insert the cleaning card under the print carriage where the media would normally go. Approximately 2 to 3 cm (1 in) of the card should extend to the front of the printhead.
- 5** Close the print carriage.
- 6** Hold the printer steady, and pull the cleaning card forward until it is out of the printer.
- 7** Repeat Steps 4 through 6 to complete a second cleaning pass.
- 8** Dispose of the used cleaning card.
- 9** Load the printer with media and ribbon.

Adjusting the Printer

Keeping the printhead properly balanced is crucial for obtaining high quality printouts. You can adjust the:

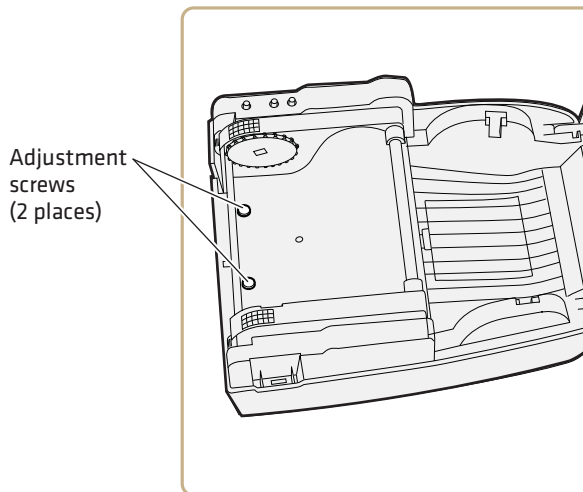
- printhead pressure.
- printhead alignment.
- printhead sensor mode (dotline).

Adjusting the Thermal Printhead Pressure (PF8t Only)

When you print with different label materials or use different types of ribbons on the PF8t, print quality may be affected due to differences in the material. If this happens, adjust the thermal printhead pressure appropriately for the type of material you are using.

To adjust thermal printhead pressure

- 1 Turn off power to the printer.
- 2 Press the cover open buttons on both sides, and open the cover.
- 3 Use a slotted screwdriver to turn the screws clockwise to increase printhead pressure or counterclockwise to decrease printhead pressure.

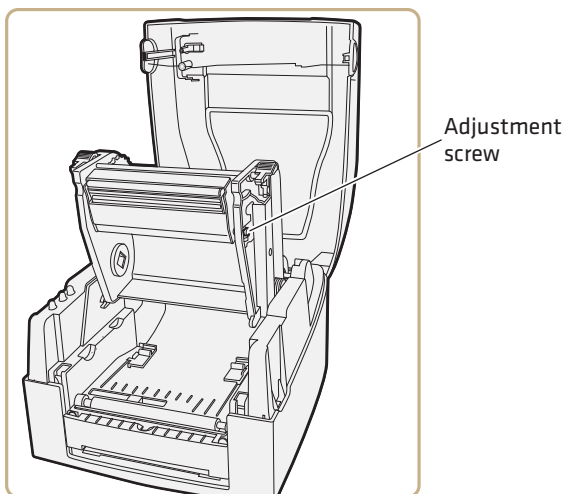


Adjusting the Printhead Alignment

You can improve the print quality by adjusting the alignment between the printhead and the platen roller.

To adjust the printhead alignment

- Turn the adjustment screw counterclockwise or clockwise to adjust the contact between the printhead and platen roller.



Adjusting the Label Taken Sensor

You can enable the built-in label taken sensor to pause printing until a printed label is removed from the printer output slot. The printer continues printing when the label taken sensor no longer detects a label.

When you are using the protocol, note the following:

- You need to install the optional self-strip module to use the label taken sensor.
- You need to manually enable the label taken sensor using the switch next to the sensor before you can enable or disable it using commands.

- When switching between self-strip, tear-off, and cut-off mode, you need to adjust the media feed using a j command. For more information, see the *ESim for the PC4, PF8, PD41, and PD42 Printer Programmer's Reference Manual*.

If you are using InterDriver you can select one of the following modes of operation without issuing commands:

- Tear-off
- Self-strip with label taken sensor enabled
- Self-strip with label taken sensor disabled

You can download the InterDriver files from the PrinterCompanion CD or from the Intermec web site at www.intermec.com.

Adjusting the Label Gap Sensor

The PF8 printers are fitted with a label gap sensor that detects the slots between tickets and tags or gaps between labels as media is fed past the sensor during printing. The label gap sensor determines the length of tags or labels and controls the media and ribbon feed accordingly.

The label gap sensor is a center-aligned photoelectric sensor that measures the light that passes through the media path. The transparency of the liner of a label supply may change from batch to batch, making it difficult for the sensor to determine the length of the media. If this happens, the status LED will change from green to orange, indicating you need to adjust the sensor using the Autosensing mode. For more information, see the *ESim for the PC4, PF8, PD41, and PD42 Printer Programmer's Reference Manual*.

Adjusting the Label Stop/Black Mark Sensor

The default position of the Label Stop Sensor/Black Mark sensor is all the way to the right of the slot, at the center of the printer. For an illustration, see **“Identifying the Parts of the Printer” on page 3**. For most media, this is the correct position. However, you can adjust the sensor to accommodate special circumstances, such as printing on very small labels or labels with black marks or notches in unusual locations.

If you are using Gap sensing or Continuous stock, this sensor **MUST** be in the default, far-right position, or “Out of Paper”, “Media not Loaded”, or other media fault errors may continually occur.

To locate and adjust the black mark/label stop sensor

- 1** Open the top of the printer.
- 2** Lift the printhead.

The black mark sensor is near the front of the printer, behind the roller, in a groove that runs from the left side to the middle of the printer. The sensor optics are visible as a small slit on the left, and there is a ridged finger-notch to the right.

- 3** If the sensor is not all the way to the right, put your fingertip in the ridged finger-notch and slide the sensor all the way to the right. Do not touch the sensor itself, because natural finger oils may dirty the optics.
- 4** Lower the printhead, close the printer, and try printing again.

A

Printer Specifications

PF8d Printer Specifications

Physical Specifications

Dimensions: 218 x 166 x 168 mm (8.58 x 6.53 x 6.61 in)

Weight: 2.0 kg (4.4 lb)

Power Specifications

Adapter Input Voltage: \sim 100 to 240 V, 1-6 A 50-60 Hz

Printer Input Voltage: --- 24 V 2,5 A

Temperature and Humidity Specifications

Operating Temperature: 5°C to 40°C (41°F to 104°F)

Storage Temperature: -20°C to 50°C (-4°F to 122°F)

Operating Humidity: 30 to 85% non-condensing

Storage Humidity: 10 to 90% non-condensing

Communications and Connectivity

- Serial port (RS-232)
- USB device
- Ethernet (Optional)
- IEEE 1284 parallel port

Memory

- 4 MB Flash
- 8 MB SDRAM
- CompactFlash (CF) card (optional)
- USB memory device (optional)

PF8d Print Speed, Resolution, and General Media Specifications

Specification	Description
Print Mode	Direct Thermal
Print Speed (variable)	2, 3, and 4 ips
Printhead Resolution	8 dot/mm (203 dpi)
Print Width (maximum)	104 mm (4.09 in)
Media Width	25 to 118 mm (1 to 4.65 in)
Label Roll Diameter (maximum)	127 mm (5 in)
Media Roll Core Diameter	25 mm, 38 mm (1 in, 1.5 in)
Media Thickness	0.05 to 0.18 mm (0.002 to 0.007 in)

PF8t Printer Specifications


Physical Specifications

Dimensions: 285 x 172 x 226 mm (11.2 x 6.8 x 8.9 in)

Weight: 2.5 kg (5.5 lb)

Power Specifications

Adapter Input Voltage: ~100 to 240 V, 1-6 A 50-60 Hz

Printer Input Voltage:  24 V 2,5 A

Temperature and Humidity Specifications

Operating Temperature: 5°C to 40°C (41°F to 104°F)

Storage Temperature: -20°C to 50°C (-4°F to 122°F)

Operating Humidity: 30 to 85% non-condensing

Storage Humidity: 10 to 90% non-condensing

Communications and Connectivity

- Serial port (RS-232)
- USB device
- Ethernet (Optional)
- IEEE 1284 parallel port

Memory

- 4 MB Flash
- 8 MB SDRAM
- CompactFlash (CF) card (optional)

PF8t Print Speed, Resolution, and General Media Specifications

Specification	Description
Print Mode	Direct Thermal, Thermal Transfer
Print Speed (variable)	203 dpi: 2, 3, and 4 ips 300 dpi: 1 or 2 ips
Printhead Resolution	8 dot/mm (203 dpi)
Print Length	203 dpi: 12 to 1727 mm (0.47 to 68.00 in) 300 dpi: 12 to 900 mm (0.47 to 35.43 in)
Print Width (maximum)	104 mm (4.09 in)
Label Roll Diameter (maximum)	127 mm (5 in)
Media Roll Core Diameter	25 mm, 38 mm (1 in, 1.5 in)
Media Width	25 to 118 mm (1 to 4.65 in)
Media Thickness	0.05 to 0.18 mm (0.002 to 0.007 in)

PF8 Interfaces

RS-232 Serial Interface

Use this table to understand the default settings of the serial port.

Default Settings of the Serial Port

Parameter	Default Settings
Baud rate	9600
Character Length or data bits	8
Parity	None
Stop Bits	1
Handshaking	Xon/Xoff

Serial Cable Pins and Descriptions

Pin	Host - DB9 Socket	Printer - DB9 Plug
1		+5V, maximum 500 mA
2	RXD	TXD
3	TXD	RXD
4	DTR	N/C
5	GND	GND
6	DSR	RTS
7	RTS	CTS
8	CTS	RTS
9	RI	N/C

Setting: RTS/CTS
 RS-232 housing: 9-pin to 9-pin



Note: The total current output from the serial port cannot exceed 500 mA.

USB Interface

Use this table to understand the USB cable interface.

USB Cable Pins and Descriptions

Pin	Function
1	VBUS
2	D-
3	D+
4	GND

Connector Type: B

Parallel Interface

Use this table to understand the pins for the parallel cable.

Parallel Cable Pins and Descriptions

Pin	Function	Transmitter
1	/Strobe	host/printer
2-9	Data 0-7	host
10	/Acknowledge	printer
11	Busy	printer
12	/Paper empty	printer
13	/Select	printer
14	/Auto line feed	host/printer
15	N/C	
16	N/C	
17	N/C	
18	+5V, max 500ma	
19-30	Signal GND	host
31	/Initialize	host/printer
32	/Error	printer
33	Signal GND	
34-35	N/C	
36	/Select in	host/printer

Handshake: DSTB connects to the printer, BUSY connects to the host

Interface cable: Parallel cable compatible with computer

Internal Interface

Use this table to understand the internal interface for the PF8.

Internal Interface Pins and Descriptions

Pin	UART1 Wafer	Ethernet Module
1	N.C	N.C
2	TXD	RXD
3	RXD	TXD
4	CTS	RTS
5	GND	GND
6	RTS	CTS
7	E_MD	E_MD
8	RTS	CTS
9	E_RST	E_RST
10	+5V	+5V
11	GND	GND
12	+5V	+5V

Media Specifications

Direct Thermal Media

Intermec offers a premium and an economy grade of direct thermal media for the PF8 printers.

Premium Quality

Top-coated media with high demands on printout quality and resistance against moisture, plasticizers, and vegetable oils.

Examples of Premium Quality Media

Europe	North America
Thermal Top Board	Duratherm Lightning
Thermal Top	Duratherm IR
Thermal Top High Speed	

Economy Quality

Uncoated media with less resistance to moisture, plasticizers, and vegetable oils. In all other respects, it is equal to premium quality.

Examples of Economy Quality Media

Europe	North America
Thermal Eco	Duratherm II
Thermal Eco Board	Duratherm II Tag

Thermal Transfer Media

Intermec offers stock media for thermal transfer printing in a wide range of quality grades.

Uncoated Papers

Use uncoated papers for economical, high-volume printing with GP/TMX1500 ribbons.

Examples of Uncoated Papers

Europe	North America
TTR Uncoated	Not Available

Coated Papers

Coated papers have various coat-weight, smoothness, and gloss. Use coated papers with HP/TMX2200 and GP/TMX1500 ribbons.

Examples of Coated Papers

Europe	North America
TTR Matte	Duratron II
TTR Premium	Duratron II Tag
TTR Premium Board	

Polyethylene Plastics

Polyethylene plastics are resistant to water and many common chemicals, as well as tearing. Use this media with HP/TMX2200 ribbons for outdoor applications.

Examples of Polyethylene Plastics

Europe	North America
TTR Polyethylene	Duratran II Kimdura
TTR Gloss Polyethylene	Duratran II Synthetic Tag
	Duratran II Syntran

Polyesters

Polyesters are the media of choice in combination with HR/TMX3201/TMX3202 ribbons. This media is highly resistant to chemicals, heat, and mechanical abrasion.

Examples of Polyesters

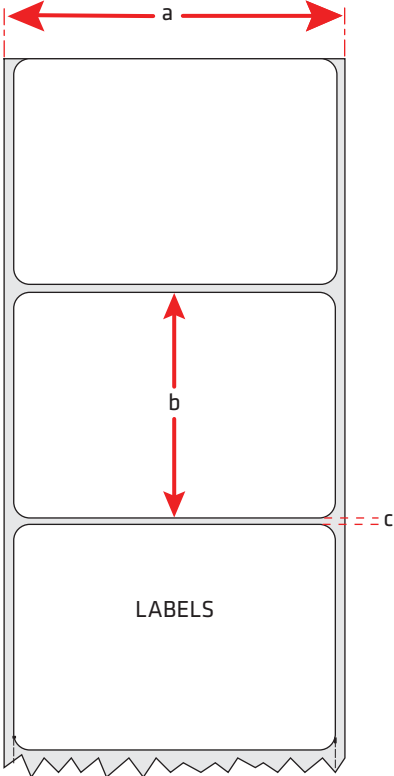
Europe	North America
TTR High Gloss Polyester	Duratran II Gloss Polyester

Labels (Non-Continuous)

Media Specifications

Measurement	Value
Maximum media width, includes liner (a)	116.0 mm (4.57 in)
Minimum media width, includes liner (a)	25.0 mm (1.0 in)
Minimum label length (b)	12.0 mm (0.5 in)
Maximum label gap height (c)	10 mm (0.39 in)
Minimum label gap height (c)	3.0 mm (0.12 in)
Liner opacity	75%

Appendix A – Printer Specifications

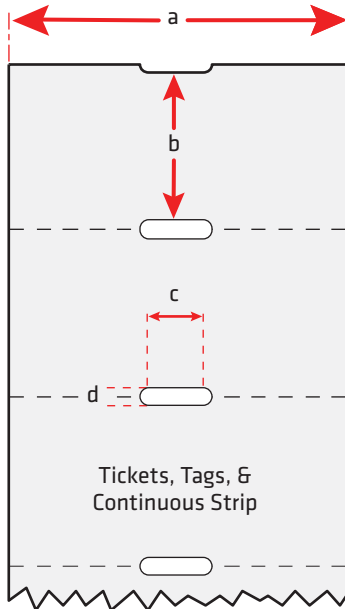


Non-Continuous Labels

Tag and Strip With Slots

Media Specifications

Measurement	Value
Maximum tag or strip width (a)	116.0 mm (4.57 in)
Minimum tag or strip width (a)	25.0 mm (1.0 in)
Minimum tag length (b)	12.7 mm (0.5 in)
Minimum detection slot width (c)	14.0 mm (0.55 in)
Maximum detection slot height (d)	10.0 mm (0.39 in)
Minimum detection slot height (d)	3.0 mm (0.12 in)
Liner opacity	75%

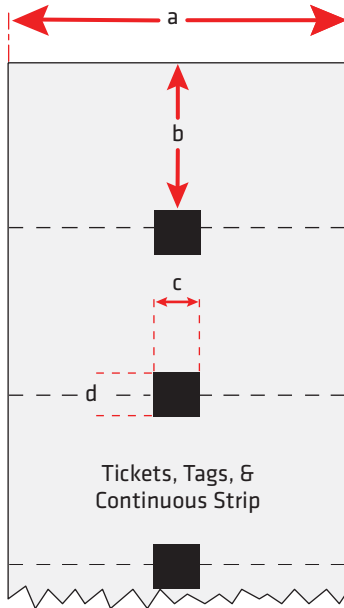


Tag and Strip With Slots: The label gap sensor is offset 2.5 mm (0.10 in) to the left of the center of the media path.

Tags and Strip With Black Marks

Media Specifications

Measurement	Value
Maximum tag or strip width (a)	116.0 mm (4.57 in)
Minimum tag or strip width (a)	25.0 mm (1.0 in)
Minimum tag length (b)	12.7 mm (0.5 in)
Minimum detection slot/black mark width (c)	14.0 mm (0.55 in)
Maximum black mark height (d)	10.0 mm (0.39 in)
Minimum black mark height (d)	3.0 mm (0.12 in)
Liner opacity	75%



Tag and Strip With Black Marks: The black mark sensor is centered on the media path. The maximum reflectance is 5% at 940 nanometers. Carbon black.

Plain Continuous Stock

The PF8 printers can use continuous stock without any detection slots or black marks. The printer must be set for continuous stock by using the ESim Q command.

The length of each copy is decided by the size of the print image and any additional media feed is decided by the Q command. Continuous stock cannot be used in the Autosensing mode. For more information, see the *ESim for the PC4, PF8, PD41, and PD42 Printer Programmer's Reference Manual*.

Media Specifications

Measurement	Value
Maximum tag or strip width	116.0 mm (4.57 in)
Minimum tag or strip width	25.0 mm (1.0 in)

Transfer Ribbons

Intermec offer three types of thermal transfer ribbons optimized for different purposes.

General Purpose (GP/TMX1500)

General purpose transfer ribbons allow high speed printing and give a good printout but are somewhat sensitive to smearing. These ribbons are best suited for uncoated and coated papers.

High Performance (HP/TMX2200)

High performance transfer ribbons allow high speed printing and give a highly readable and defined printout on most face materials with smooth surfaces. They have good “smear resistance” and are most suitable for intricate logotypes and images on matte coated papers and synthetic face materials.

High Resistance (HR/TMX3201/TMX3202)

High resistance transfer ribbons give an extremely durable printout that is resistant to most chemical agents and high temperatures. However, such transfer ribbons set high demands on the receiving face material, which must be very smooth, like polyesters.



Note: Intermec thermal transfer ribbons are engineered specifically for the PF8 printheads.

Accessories for the Printer

These accessories for the PF8 printers are sold and ordered separately:

- **Cutter Kit:** The cutter is designed to cut continuous paper-based stock or liner between labels.
- **Self-Strip Module:** The self-strip feature peels the label away from the liner (backing paper) as it prints for faster on-demand labeling.
- **CompactFlash Adapter (PF8t only):** This adapter lets you install a CompactFlash card in your PF8t printer to increase the memory size.



Warning

The cutter kit and self-strip module must only be installed by an authorized service technician. Intermec assumes no responsibility for personal injury or damage if the installation is performed by an unauthorized person.

You can also order serial and parallel cables, media, and transfer ribbons. For help, contact your local Intermec sales representative.

B

Default Settings

Default Configuration

Use this appendix to view the default settings on the printer. If you need to restore factory defaults at any time, you can use PrintSet or the printer home page to reset the printer.

To reset the printer to factory defaults using Printset

- Use the Factory Default Wizard in the Printer Tasks box.

To reset the printer to factory defaults using the home page

- 1** Start a web browser application.
- 2** In the address field type the IP address of your printer and press **Enter**. The printer home page appears.
- 3** Click **Login** and enter your administrator name and password. The Set General Configuration page appears.
- 4** On the navigation pane, click **Configuration**. The Configuration page appears.
- 5** Click **TCP/IP > Reset**.
- 6** Reboot the printer.

The next section lists the default values of the configuration commands supported on the PF8d and PF8t printers. If you restore the printer to the factory default settings, these are the values it uses.

Printer Default Settings

Serial Communication Parameters

Parameter	Default Value
Baud rate	9600
Data bits	8
Parity	None
Stop bits	1
Protocol	Xon/Xoff

COM Parameters

Parameter	Default Value
Interface	USB Device
USB keyboard	US

Network Parameters

Parameter	Default Value
IP Selection	DHCP
IP Address	N/A
Netmask	N/A
Default router	N/A
DHCP response	N/A
MAC address	N/A

Test/Service Parameters

Parameter	Default Value
Testprint	N/A
Data dump	Off

Media Parameters

Parameter	Default Value
Media type	Gap
Paper type	DT (Direct Thermal)
LBL dots	1200 dots
Darkness	12
LBL reset point	0
Form adjust dots X	+0
Form adjust Y	+0

Configuration Parameters

Parameter	Default Value
Emulation mode	N/A
Print speed	2 in/sec
Cutter	Not installed



Worldwide Headquarters
6001 36th Avenue West
Everett, Washington 98203
U.S.A.

tel 425.348.2600

fax 425.355.9551

www.intermec.com

© 2010 Intermec Technologies
Corporation. All rights reserved.

PF8d and PF8t Desktop Printer User's Guide



P/N 934-011-007