

Barcode Slot Reader

BSR-100

BSR-100

OPTICAL

Scan Speed:	100~1000 mm per second
Light Source:	660nm Visible LED or 940nm Infra Red
Resolution:	0.13 mm (5 mil)
PCS Value:	45% or more
Depth of Field:	0-2mm
Scanning Position:	11mm from Slid Bed

INTERFACE

Multi-Interface:	Keyboard Emulation, C-MOS Serial and Wand Emulation all in one unit
Optional:	USB communication (IBM PC/AT/AT Windows 98 or Higher)(Mac=OS 8.1 or higher) (iMac=Rev A. or higher)
Type of keyboard Emulation:	IBM PC/XT/AT, IBM PS/2 Model 30/40/50/55/80, IBM5550, 3196, 3472, 3477 NEC 9810, MAC, etc.
Type of Serial Interface:	ACK/NAK, X on/X off, RTS/CTS, Baud Rate, Data Bit, Stop bit, Parity
Decodable Symbolologies:	Code 39, Code 39 extended, Interleaved 2 of 5, WPC(EAN-13, EAN-8, UPC-A, UPC-E) Code 128, Code 93, Coda bar, Code 11, Code 32, EAN-128, Chinese Postage Code, IATA, MSI/PLESSY, STD 2 of 5, Martix 2 of 5, Italian Pharmacy Code Industrial 2 of 5, BC-412

ELECTRICAL

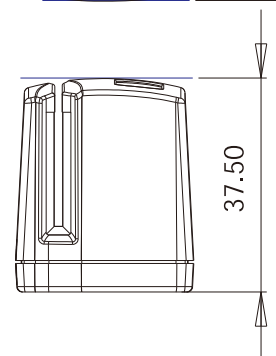
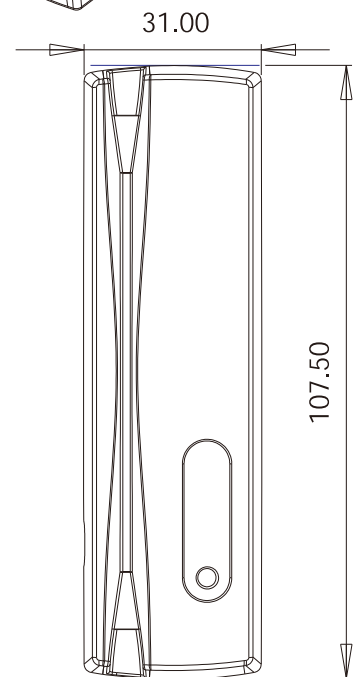
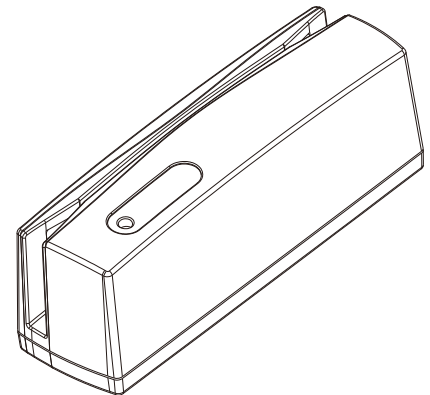
Voltage:	5V DC±10%
Operation Current:	BSR-100 (I/F KB): 75 mA
	BSR-100 (I/F RS232): 85 mA
	BSR-100 (Wand Emulation): 15 mA

ENVIRONMENTAL

Temperature-Operating:	+32°F to +105°F (0°C to +50°C)
Temperature-Storage:	-15°F to 140°F (-26°C to +60°C)
Humidity-Operating:	up to 80% RH
Humidity-Storage:	up to 90% RH
Ambient Light Rejection:	3000 Lux max. (Fluorescence)
	800 Lux max. (Sunlight)
Shock Resistance:	Approved by 1.2M drop test on concrete
Warranty:	1 Year
Safety Approval:	FCC Class-B, CE Class-B, EMC, U/C CSA

PHYSICAL

Case Material:	30% PC +70% ABS, UL94U0
Dimensions:	Length 107.5mm x Width 31mm x Height 37.5mm
Weight:	80g, excluding cable and connector
Type of Cable:	1.5M straight cable



*Specifications subject to change without notice

Bitatek BITATEK CO., LTD.

ADD: 3F, 192, Ta -Tung Road, Sec. 3, Hsichih, Taipei Hsien, TAIWAN

TEL : +886 2 8647 1299 FAX: +886-2 8647 1542

EMAIL: sales@bitatek.com.tw

http://www.bitatek.com.tw

Dealer/Distributor